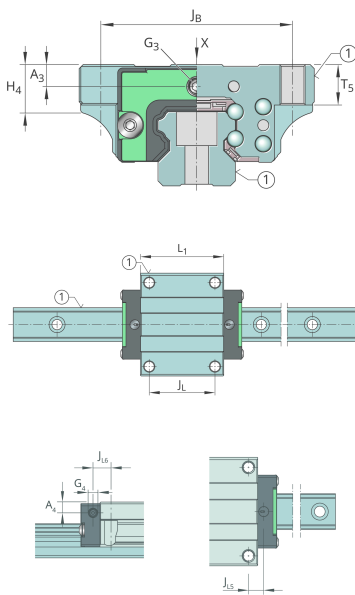


**KWLT20-AL-V1-G4** [↗](#)

Recirculating ball bearing carriage

Long flanged carriage, standard end plate, for four-row linear recirculating ball bearing and guideway assembly

Technical information

**Your current product variant**

Size code	20	
Carriage design	AL	Long design
Preload	V1	Slight preload (standard)
Accuracy class	G4	

Main Dimensions & Performance Data

H	30 mm	Height system
B	63 mm	Width carriage
L	88 mm	Overall length carriage
C	15.100 N	Dynamic load rating
C ₀	30.000 N	Basic static load capacity
M _{0x}	325 Nm	Static moment rating about X-axis
M _{0y}	300 Nm	Static moment rating about Y-axis
M _{0z}	300 Nm	Static moment rating about Z-axis
M _{0x}	148 Nm	Dynamic moment rating about X-axis
M _{0y}	251 Nm	Dynamic moment rating about y-axis
M _{0z}	251 Nm	Dynamic moment rating about Z-axis
≈m	0,53 kg	Weight



Mounting dimensions

A ₁	21,5 mm	Distance from locating edge on carriage to locating edge on guideway
A ₂	5 mm	Distance from locating edge to hole
L ₁	66,2 mm	Carrier length
H ₁	5 mm	Free space, system dimension
J _B	53 mm	Hole spacing
J _L	40 mm	Hole Spacing
A ₃	5,7 mm	Position lubrication connector
T ₅	9 mm	Thread depth
G ₂	M6	Thread size, DIN ISO 4762-12.9
G2 M _A	16,5 Nm	Maximum tightening torque

Additional information

VMKB_065	KWLT	Material name
----------	------	---------------