

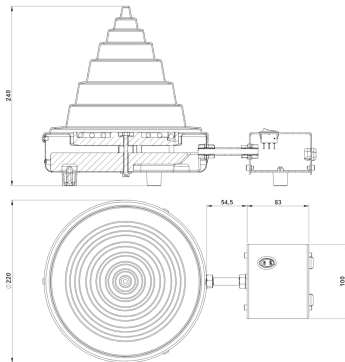
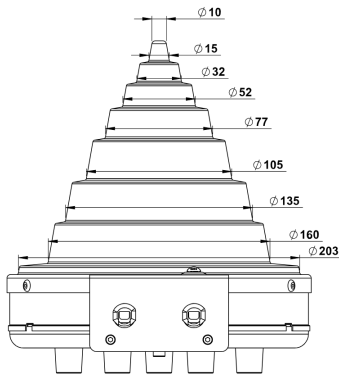


## CONE-HEATER-CHU-230V [↗](#)

Heating device, electric

BETEX CONE-HEATER-CHU, for heating rolling bearings, bearing inner rings and other rotary machine elements

### Technical information



### Your current product variant

Version	CHU	Without temperature control
---------	-----	-----------------------------

### Technical data

P	0,725 kW	Power
U	230 V	Voltage
I	3,2 A	Amperage
f	50 – 60 Hz	Power frequency
	—	Temperature check to fixed value
	—	Temperature hold
	365 x 220 x 240	Dimensions [LxWxH] (mm)
≈m	3,8 kg	Weight

### Workpiece to be heated

m w max	7 kg	Max. workpiece weight
d W min	10 mm	Min. inner diameter workpiece
d W max	203 mm	Max. inner diameter workpiece
D W max	305 mm	Max. outer diameter workpiece

### Additional information

Easy to use, lightweight, suitable for various workpiece sizes, aluminum housing ensures even, quick heating of the workpiece

Product specifics