

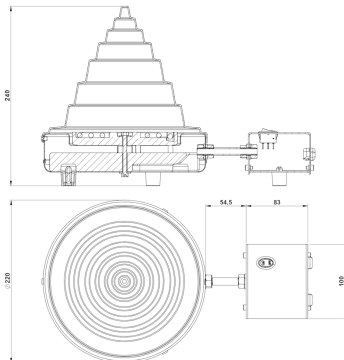
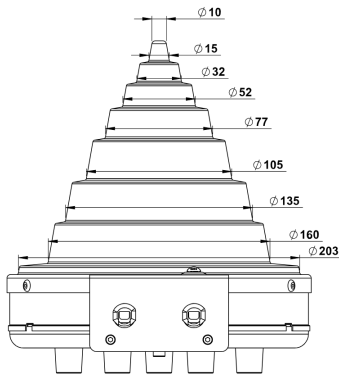


CONE-HEATER-CHC-120V-US [↗](#)

Heating device, electric

BETEX CONE-HEATER-CHC, for heating rolling bearings, bearing inner rings and other rotary machine elements, with temperature check and heat retention function

Technical information



Your current product variant

Version	CHC	With temperature control

Technical data

P	0,725 kW	Power
U	120 V	Voltage
I	6 A	Amperage
f	50 – 60 Hz	Power frequency
	120 °C	Temperature check to fixed value
	+	Temperature hold
	365 x 220 x 240	Dimensions [LxWxH] (mm)
≈m	4 kg	Weight

Workpiece to be heated

m w max	7 kg	Max. workpiece weight
d W min	10 mm	Min. inner diameter workpiece
d W max	203 mm	Max. inner diameter workpiece
D W max	305 mm	Max. outer diameter workpiece

Additional information

Easy to use,
lightweight, suitable
for various workpiece
sizes, aluminum
housing ensures
even, quick heating
of the workpiece

Product specifics