

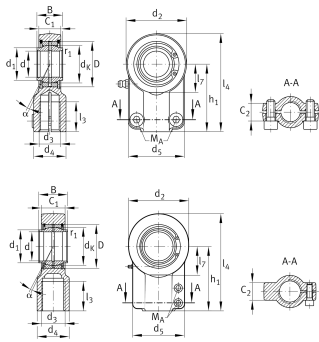
**GIHNRK12-LO**

Rod end



Hydraulic rod end, with thread clamping device, right hand thread, requiring maintenance, sliding contact surface: steel/steel, DIN 24338 ISO 6982, open design

Technical information

**Your current product variant**

Clampable	Clampable
Maintenance	Maintenance required
Mounting	Internal thread
Lubrication nipple	Cannot be relubricated
Slotted	Slotted, both sides
Thread Pitch	Right-hand thread
Type of Sealing	Without

Main Dimensions & Performance Data

C_r	13.900 N	Basic dynamic load rating, radial
C_{0r}	24.000 N	Basic static load rating, radial
d	12 mm	Bore diameter bearing
d_2	32 mm	Outer eye diameter
l_4	54 mm	Total length internal thread head
D	22 mm	Outside diameter bearing
B	12 mm	Width inner ring
$\approx m$	0,109 kg	Weight



Dimensions

α	4 °	Tilt angle
C ₁	10,6 mm	Width of the rod end
C ₂	10,6 mm	Width
d _K	18 mm	Ball diameter
d ₃	M12x1,25	Thread size
d ₄	16,5 mm	Shank diameter
d ₅	32 mm	Shank diameter, large
d ₇	M5x12	Diameter screw clamp
h ₁	38 mm	Shank Length Internal thread head
l ₃	17 mm	Thread length Internal thread
l ₇	14 mm	Distance drilling with/shaft start
d _{UT}	0 mm	Bore diameter bearing, lower tolerance
d _T	H7	Bore diameter bearing, tolerance
d _{OT}	0,018 mm	Bore diameter bearing, upper tolerance
B _{UT}	-0,18 mm	Width inner ring, lower tolerance
B _{OT}	0 mm	Width inner ring, upper tolerance
M _A	8 Nm	Tightening torque
F _Z	8.000 N	Cylinder Force
G _r	0,023 - 0,068	Radial Clearance
G _{rmin}	0,023 mm	Radial clearance, minimum
G _{rmax}	0,068 mm	Radial clearance, maximum

Mounting dimensions




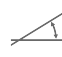

r _{1smin}	0,3 mm	Edge Spacing
d ₁	15,5 mm	Outer flange diameter inner ring



Temperature range

T_{min}	-60 °C	Operating temperature min.
T_{max}	200 °C	Operating temperature max.

Characteristics

-  F_r Radial load
-  Grease Lubrication
-  Not sealed
-  Static angular error and misalignment
-  Dynamic angular error and misalignment