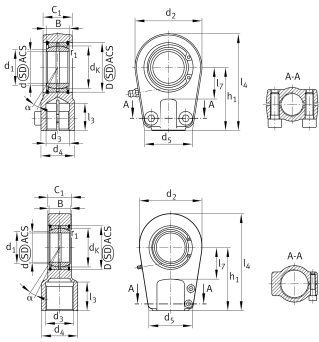


IMAGE
COMING SOON**GIHRK40-HO-2RS**

Rod end

Rod end GIHRK..-HO-2RS

Technical information

**Your current product variant**

Clampable	Clampable	
Maintenance	Maintenance required	
Mounting	Internal thread	
Lubrication nipple	DIN71412-AS6 (tapered grease nipple)	
Slotted	Slotted, both sides	
Thread Pitch	Right-hand thread	
Type of Seal	2RS	Lip seals on both sides
Radial internal clearance	CN (Group N)	Normal internal clearance

Main Dimensions & Performance Data

C_r	129.000 N	Basic dynamic load rating, radial
C_{0r}	228.000 N	Basic static load rating, radial
d	40 mm	Bore diameter bearing
d_2	94 mm	Outer eye diameter
l_4	132 mm	Total length internal thread head
D	62 mm	Outside diameter bearing
B	38 mm	Width inner ring
$\approx m$	2 kg	Weight



Dimensions

α	3 °	Tilt angle
C ₁	35 mm	Width of the rod end
d _K	53 mm	Ball diameter
d ₃	M35x1,5	Thread size
d ₄	49 mm	Shank diameter
d ₅	66 mm	Shank diameter, large
d ₇	M10x35	Diameter screw clamp
h ₁	85 mm	Shank Length Internal thread head
l ₃	36 mm	Thread length Internal thread
l ₇	45 mm	Distance drilling with/shaft start
d _{UT}	-0,012 mm	Bore diameter bearing, lower tolerance
d _{OT}	0 mm	Bore diameter bearing, upper tolerance
B _{UT}	-0,3 mm	Width inner ring, lower tolerance
B _{OT}	0,3 mm	Width inner ring, upper tolerance
M _A	64 Nm	Tightening torque
G _r	0,043 - 0,12	Radial Clearance
G _{rmin}	0,043 mm	Radial clearance, minimum
G _{rmax}	0,12 mm	Radial clearance, maximum

Mounting dimensions

r _{1smin}	0,6 mm	Edge Spacing
d ₁	45 mm	Outer flange diameter inner ring

Temperature range

T _{min}	-30 °C	Operating temperature min.
T _{max}	130 °C	Operating temperature max.



Characteristics



Radial load



Axial load in one direction



Axial load in two directions



Grease Lubrication



Sealed on both sides



Static angular error and misalignment



Dynamic angular error and misalignment