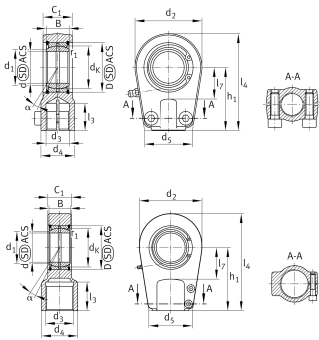


IMAGE  
COMING SOON**GIHRK70-UK-2RS**

## Rod end

Hydraulic rod end, with thread clamping device, right hand thread, maintenance-free, sliding layer: ELGOGLIDE, sealed design

## Technical information

**Your current product variant**

Clampable	Clampable	
Maintenance	Maintenance free	
Lubrication nipple	Cannot be relubricated	
Slotted	Slotted, one side	
Thread Pitch	Right-hand thread	
Sealing	2RS	Lip seals on both sides
Mounting	Internal thread	

**Main Dimensions & Performance Data**

$C_r$	883.000 N	Basic dynamic load rating, radial
$C_{0r}$	441.000 N	Basic static load rating, radial
d	70 mm	Bore diameter bearing
D	105 mm	Outside diameter bearing
$l_4$	232 mm	Total length internal thread head
B	49 mm	Width inner ring,
$d_2$	154 mm	Outer eye diameter
$\approx m$	8,5 kg	Weight



## Dimensions

$d_K$	92 mm	Ball diameter
$d_3$	M65x1,5	Thread size
$d_4$	86 mm	Shank diameter
$h_1$	150 mm	Shank Length Internal thread head
$C_1$	55 mm	Width of the rod end
$\alpha$	6 °	Tilt angle
$l_3$	66 mm	Thread length Internal thread
$l_7$	75 mm	Distance drilling with/shaft start
$d_5$	100 mm	Shank diameter, large
$G_r$	0 - 0,072	Radial Clearance
$M_A$	80 Nm	Tightening torque
$d_{OT}$	0 mm	Bore diameter bearing, upper tolerance
$d_{UT}$	-0,015 mm	Bore diameter bearing, lower tolerance
$B_{OT}$	0 mm	Width inner ring, upper tolerance
$B_{UT}$	-0,15 mm	Width inner ring, lower tolerance
$G_{rmax}$	0,072 mm	Radial clearance, maximum
$G_{rmin}$	0 mm	Radial clearance, minimum

## Temperature range

$T_{min}$	-30 °C	Operating temperature min.
$T_{max}$	130 °C	Operating temperature max.

## Mounting dimensions

$d_1$	77,9 mm	Outer flange diameter inner ring
$r_{1smin}$	1 mm	Edge Spacing



## Characteristics

---



Radial load



Axial load in one direction



Axial load in two directions



Lifetime lubrication, freedom from maintenance



Sealed on both sides



Static angular error and misalignment



Dynamic angular error and misalignment