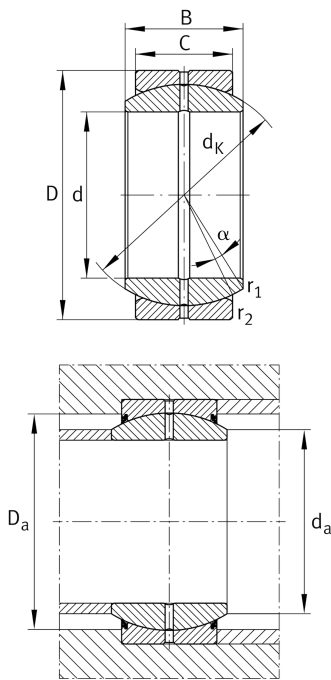


**GE12-DO-HLN**

## Spherical plain bearing

Standard performance Radial spherical plain bearing, requiring maintenance, sliding contact surface: steel/steel, DIN ISO 12240-1, dimension series E, open design

## Technical information



## Your current product variant

Maintenance	Maintenance required
Material	Steel
Type of Sealing	Without
Radial internal clearance	CN (Group N) Normal internal clearance
Coating	Durotect M Inner- and outer ring coated with Durotect M (Manganese Phosphate)

## Main Dimensions &amp; Performance Data

d	12 mm	Bore diameter bearing
D	22 mm	Outside diameter bearing
B	10 mm	Width inner ring
$C_r$	10.700 N	Basic dynamic load rating, radial
$C_{0r}$	53.600 N	Basic static load rating, radial
$\approx m$	0,016 kg	Weight

## Mounting dimensions

$r_{1smin}$	0,3 mm	Edge Spacing
$r_{2smin}$	0,3 mm	Edge Spacing
$d_{a max}$	14,9 mm	Connection measure Inner ring
$D_{a min}$	17,3 mm	Housing Connection Diameter



## Dimensions

C	7 mm	Width Outer ring
$d_K$	18 mm	Ball diameter
$\alpha$	11 °	Tilt angle
$d_{OT}$	0 mm	Bore diameter bearing, upper tolerance
$d_{UT}$	-0,008 mm	Bore diameter bearing, lower tolerance
$D_{OT}$	0 mm	Outside diameter, upper tolerance
$D_{UT}$	-0,009 mm	Outside diameter, lower tolerance
$B_{OT}$	0 mm	Width inner ring, upper tolerance
$B_{UT}$	-0,12 mm	Width inner ring, lower tolerance
$C_{OT}$	0 mm	Width outer ring, upper tolerance
$C_{UT}$	-0,24 mm	Width outer ring, lower tolerance
$G_r$	0,032 - 0,068	Radial Clearance
$G_{rmax}$	0,068 mm	Radial clearance, maximum
$G_{rmin}$	0,032 mm	Radial clearance, minimum

## Temperature range

$T_{min}$	-60 °C	Operating temperature min.
$T_{max}$	200 °C	Operating temperature max.

## Characteristics

	Radial load
	Axial load in one direction
	Axial load in two directions
	Grease Lubrication
	Sealed on both sides
	Static angular error and misalignment
	Dynamic angular error and misalignment