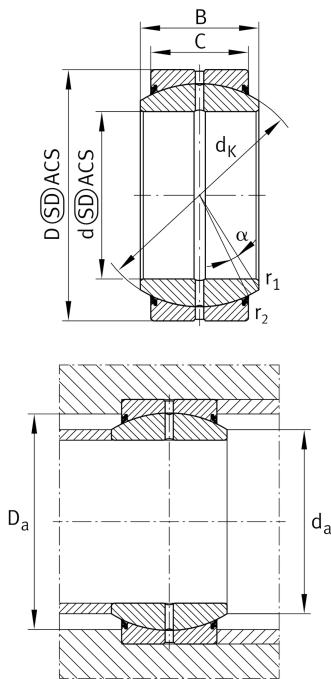


**GE260-DO-2RS** [↗](#)

Spherical plain bearing

High performance radial spherical plain bearing, requiring maintenance, sliding contact surface: steel/steel, DIN ISO 12240-1, dimension series E, sealed High-performance: For highest load rating and lifetime demands

Technical information



Your current product variant

| | | |
|---------------------------|----------------------|--|
| Maintenance | Maintenance required | |
| Material | Steel | |
| Sealing | 2RS | Lip seals on both sides |
| Radial internal clearance | CN (Group N) | Normal internal clearance |
| Coating | Durotect M | Inner- and outer ring coated with Durotect M (Manganese Phosphate) |

Main Dimensions & Performance Data

| | | |
|-----------------|--------------|-----------------------------------|
| d | 260 mm | Bore diameter bearing |
| D | 370 mm | Outside diameter bearing |
| B | 150 mm | Width inner ring |
| C _r | 3.950.000 N | Basic dynamic load rating, radial |
| C _{0r} | 15.200.000 N | Basic static load rating, radial |
| ≈m | 50,8 kg | Weight |

Mounting dimensions

| | | |
|--------------------|----------|-------------------------------|
| r _{1smin} | 1,1 mm | Edge Spacing |
| r _{2smin} | 1,1 mm | Edge Spacing |
| d _{a max} | 288,3 mm | Connection measure Inner ring |
| D _{a min} | 319 mm | Housing Connection Diameter |



Dimensions

| | | |
|-------------------|--------------|--|
| C | 110 mm | Width Outer ring |
| d _K | 325 mm | Ball diameter |
| α | 7 ° | Tilt angle |
| d _{OT} | 0 mm | Bore diameter bearing, upper tolerance |
| d _{UT} | -0,035 mm | Bore diameter bearing, lower tolerance |
| D _{OT} | 0 mm | Outside diameter, upper tolerance |
| D _{UT} | -0,04 mm | Outside diameter, lower tolerance |
| B _{OT} | 0 mm | Width inner ring, upper tolerance |
| B _{UT} | -0,35 mm | Width inner ring, lower tolerance |
| C _{OT} | 0 mm | Width outer ring, upper tolerance |
| C _{UT} | -0,8 mm | Width outer ring, lower tolerance |
| G _r | 0,11 - 0,214 | Radial Clearance |
| G _{rmax} | 0,214 mm | Radial clearance, maximum |
| G _{rmin} | 0,11 mm | Radial clearance, minimum |

Temperature range

| | | |
|------------------|--------|----------------------------|
| T _{min} | -30 °C | Operating temperature min. |
| T _{max} | 130 °C | Operating temperature max. |



Characteristics



Radial load



Axial load in one direction



Axial load in two directions



Grease Lubrication



Sealed on both sides



Large bearing



Static angular error and misalignment



Dynamic angular error and misalignment