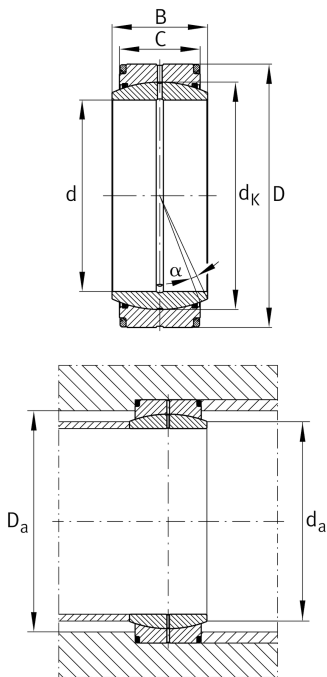


**GE340-DO-2RS4**

## Spherical plain bearing

Radial spherical plain bearing, requiring maintenance, sliding contact surface: steel/steel; DIN ISO 12240-1, dimension series C, sealed

## Technical information



## Your current product variant

Maintenance	Maintenance required	
Material	Steel	
Sealing	2RS4	Lip seals with increased sealing action on both sides
Radial internal clearance	CN (Group N)	Normal internal clearance
Coating	Durotect M	Inner- and outer ring coated with Durotect M (Manganese Phosphate)

## Main Dimensions &amp; Performance Data

d	340 mm	Bore diameter bearing
D	460 mm	Outside diameter bearing
B	160 mm	Width inner ring
C <sub>r</sub>	5.400.000 N	Basic dynamic load rating, radial
C <sub>0r</sub>	20.800.000 N	Basic static load rating, radial
m	79,8 kg	Weight

## Mounting dimensions

r <sub>1smin</sub>	1,1 mm	Edge Spacing
r <sub>2smin</sub>	3 mm	Edge Spacing
d <sub>a max</sub>	366,6 mm	Connection measure Inner ring
D <sub>a min</sub>	382 mm	Housing Connection Diameter



### Dimensions

C	135 mm	Width Outer ring
d <sub>K</sub>	400 mm	Ball diameter
α	3,8 °	Tilt angle
d <sub>OT</sub>	0 mm	Bore diameter bearing, upper tolerance
d <sub>UT</sub>	-0,04 mm	Bore diameter bearing, lower tolerance
D <sub>OT</sub>	0 mm	Outside diameter, upper tolerance
D <sub>UT</sub>	-0,045 mm	Outside diameter, lower tolerance
B <sub>OT</sub>	0 mm	Width inner ring, upper tolerance
B <sub>UT</sub>	-0,4 mm	Width inner ring, lower tolerance
C <sub>OT</sub>	0 mm	Width outer ring, upper tolerance
C <sub>UT</sub>	-0,9 mm	Width outer ring, lower tolerance
G <sub>r</sub>	0,125 - 0,239	Radial Clearance
G <sub>rmax</sub>	0,239 mm	Radial clearance, maximum
G <sub>rmin</sub>	0,125 mm	Radial clearance, minimum

### Temperature range

T <sub>min</sub>	-30 °C	Operating temperature min.
T <sub>max</sub>	130 °C	Operating temperature max.



### Characteristics

---



Radial load



Axial load in one direction



Axial load in two directions



Grease Lubrication



Sealed on both sides



Large bearing



Static angular error and misalignment



Dynamic angular error and misalignment