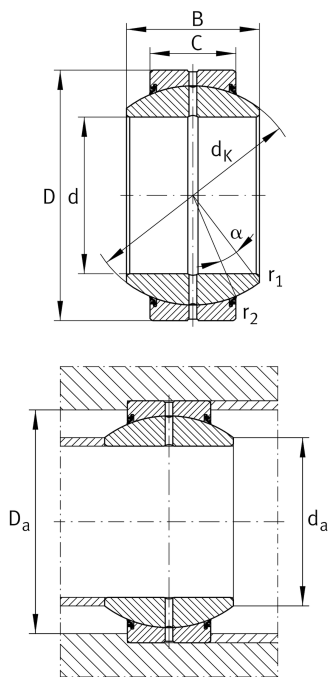


**GE240-FO-2RS**

Spherical plain bearing

High performance Radial spherical plain bearing, requiring maintenance, sliding contact surface: steel/steel, DIN ISO 12240-1, dimension series G, sealed High-performance: For highest load rating and lifetime demands

Technical information



Your current product variant

Maintenance	Maintenance required	
Material	Steel	
Sealing	2RS	Lip seals on both sides
Radial internal clearance	CN (Group N)	Normal internal clearance
Coating	Durotect M	Inner- and outer ring coated with Durotect M (Manganese Phosphate)

Main Dimensions & Performance Data

d	240 mm	Bore diameter bearing
D	370 mm	Outside diameter bearing
B	190 mm	Width inner ring
C _r	3.950.000 N	Basic dynamic load rating, radial
C _{0r}	15.200.000 N	Basic static load rating, radial
≈m	64,5 kg	Weight

Mounting dimensions

r _{1smin}	1,1 mm	Edge Spacing
r _{2smin}	1,1 mm	Edge Spacing
d _{a max}	263,6 mm	Connection measure Inner ring
D _{a min}	319 mm	Housing Connection Diameter



Dimensions

C	110 mm	Width Outer ring
d _K	325 mm	Ball diameter
α	15 °	Tilt angle
d _{OT}	0 mm	Bore diameter bearing, upper tolerance
d _{UT}	-0,03 mm	Bore diameter bearing, lower tolerance
D _{OT}	0 mm	Outside diameter, upper tolerance
D _{UT}	-0,04 mm	Outside diameter, lower tolerance
B _{OT}	0 mm	Width inner ring, upper tolerance
B _{UT}	-0,35 mm	Width inner ring, lower tolerance
C _{OT}	0 mm	Width outer ring, upper tolerance
C _{UT}	-0,8 mm	Width outer ring, lower tolerance
G _r	0,125 - 0,239	Radial Clearance
G _{rmax}	0,239 mm	Radial clearance, maximum
G _{rmin}	0,125 mm	Radial clearance, minimum

Temperature range

T _{min}	-30 °C	Operating temperature min.
T _{max}	130 °C	Operating temperature max.



Characteristics



Radial load



Axial load in one direction



Axial load in two directions



Grease Lubrication



Sealed on both sides



Large bearing



Static angular error and misalignment



Dynamic angular error and misalignment