

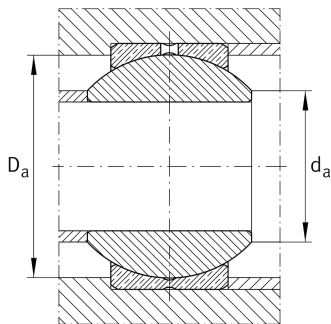
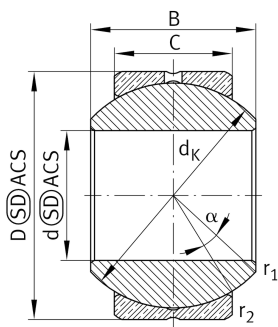
**GE14-PB**

Spherical plain bearing



Radial spherical plain bearing, requiring maintenance, sliding contact surface: steel/bronze, DIN ISO 12240-1, dimension series K, open design

Technical information

**Your current product variant**

Maintenance	Maintenance required
Material	Steel
Sealing	Without
Radial internal clearance	CN (Group N) Normal internal clearance
Coating	Without

Main Dimensions & Performance Data

d	14 mm	Bore diameter bearing
D	28 mm	Outside diameter bearing
B	19 mm	Width inner ring
C _r	17.100 N	Basic dynamic load rating, radial
C _{0r}	42.900 N	Basic static load rating, radial
≈m	55,27 g	Weight

Mounting dimensions

r _{1smin}	0,3 mm	Edge Spacing
r _{2smin}	0,3 mm	Edge Spacing
d _{a max}	16,8 mm	Connection measure Inner ring
D _{a min}	22,5 mm	Housing Connection Diameter



Dimensions

C	13,5 mm	Width Outer ring
d _K	25,4 mm	Ball diameter
α	16 °	Tilt angle
d _{OT}	0,018 mm	Bore diameter bearing, upper tolerance
d _{UT}	0 mm	Bore diameter bearing, lower tolerance
d _T	H7	Bore diameter bearing, tolerance
D _{OT}	0 mm	Outside diameter, upper tolerance
D _{UT}	-0,009 mm	Outside diameter, lower tolerance
B _{OT}	0 mm	Width inner ring, upper tolerance
B _{UT}	-0,12 mm	Width inner ring, lower tolerance
C _{OT}	0 mm	Width outer ring, upper tolerance
C _{UT}	-0,24 mm	Width outer ring, lower tolerance
G _r	0,006 - 0,035	Radial Clearance
G _{rmax}	0,035 mm	Radial clearance, maximum
G _{rmin}	0,006 mm	Radial clearance, minimum

Temperature range

T _{min}	-60 °C	Operating temperature min.
T _{max}	250 °C	Operating temperature max.



Characteristics



Radial load



Axial load in one direction



Axial load in two directions



Grease Lubrication



Not sealed



Static angular error and misalignment



Dynamic angular error and misalignment