

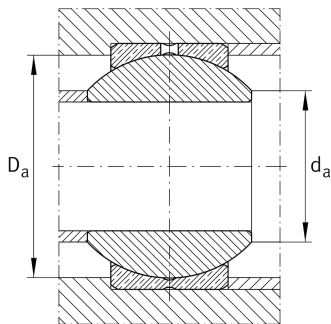
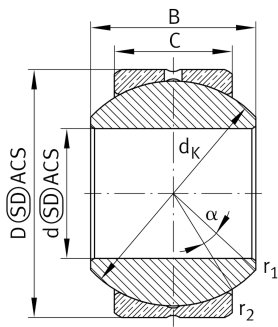
**GE22-PB**

## Spherical plain bearing



Radial spherical plain bearing, requiring maintenance, sliding contact surface: steel/bronze, DIN ISO 12240-1, dimension series K, open design

## Technical information



## Your current product variant

|                           |   |
|---------------------------|---|
| Maintenance               | Maintenance required                        |
| Material                  | Steel                                       |
| Type of Sealing           | Without                                     |
| Radial internal clearance | CN (Group N)      Normal internal clearance |
| Coating                   | Without                                     |

## Main Dimensions &amp; Performance Data

|                 |          |                                   |
|-----------------|----------|-----------------------------------|
| d               | 22 mm    | Bore diameter bearing             |
| D               | 42 mm    | Outside diameter bearing          |
| B               | 28 mm    | Width inner ring                  |
| C <sub>r</sub>  | 38.100 N | Basic dynamic load rating, radial |
| C <sub>0r</sub> | 95.300 N | Basic static load rating, radial  |
| ≈m              | 0,18 kg  | Weight                            |

## Mounting dimensions

|                    |         |                               |
|--------------------|---------|-------------------------------|
| r <sub>1smin</sub> | 0,3 mm  | Edge Spacing                  |
| r <sub>2smin</sub> | 0,6 mm  | Edge Spacing                  |
| d <sub>a max</sub> | 25,8 mm | Connection measure Inner ring |
| D <sub>a min</sub> | 34 mm   | Housing Connection Diameter   |



### Dimensions

|                   |               |  |
|-------------------|---------------|--|
| C                 | 20 mm         | Width Outer ring                       |
| d <sub>K</sub>    | 38,1 mm       | Ball diameter                          |
| α                 | 15 °          | Tilt angle                             |
| d <sub>OT</sub>   | 0,021 mm      | Bore diameter bearing, upper tolerance |
| d <sub>UT</sub>   | 0 mm          | Bore diameter bearing, lower tolerance |
| d <sub>T</sub>    | H7            | Bore diameter bearing, tolerance       |
| D <sub>OT</sub>   | 0 mm          | Outside diameter, upper tolerance      |
| D <sub>UT</sub>   | -0,011 mm     | Outside diameter, lower tolerance      |
| B <sub>OT</sub>   | 0 mm          | Width inner ring, upper tolerance      |
| B <sub>UT</sub>   | -0,12 mm      | Width inner ring, lower tolerance      |
| C <sub>OT</sub>   | 0 mm          | Width outer ring, upper tolerance      |
| C <sub>UT</sub>   | -0,24 mm      | Width outer ring, lower tolerance      |
| G <sub>r</sub>    | 0,006 - 0,035 | Radial Clearance                       |
| G <sub>rmax</sub> | 0,035 mm      | Radial clearance, maximum              |
| G <sub>rmin</sub> | 0,006 mm      | Radial clearance, minimum              |

### Temperature range

|                  |        |                            |
|------------------|--------|----------------------------|
| T <sub>min</sub> | -60 °C | Operating temperature min. |
| T <sub>max</sub> | 250 °C | Operating temperature max. |



### Characteristics

---



Radial load



Axial load in one direction



Axial load in two directions



Grease Lubrication



Not sealed



Static angular error and misalignment



Dynamic angular error and misalignment