

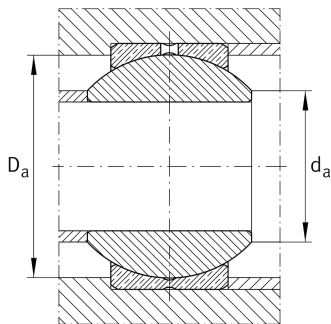
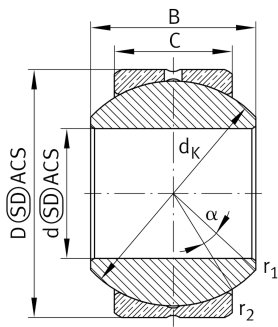
**GE6-PB**

Spherical plain bearing



Radial spherical plain bearing, requiring maintenance, sliding contact surface: steel/bronze, DIN ISO 12240-1, dimension series K, open design

Technical information



Your current product variant

Maintenance	Maintenance required
Material	Steel
Type of Seal	Without
Radial internal clearance	CN (Group N) Normal internal clearance
Coating	Without

Main Dimensions & Performance Data

d	6 mm	Bore diameter bearing
D	16 mm	Outside diameter bearing
B	9 mm	Width inner ring
C_r	4.320 N	Basic dynamic load rating, radial
C_{0r}	10.800 N	Basic static load rating, radial
$\approx m$	10,04 g	Weight

Mounting dimensions

$r_{1\text{min}}$	0,3 mm	Edge Spacing
$r_{2\text{min}}$	0,3 mm	Edge Spacing
$d_{a\text{max}}$	8,9 mm	Connection measure Inner ring
$D_{a\text{min}}$	11,5 mm	Housing Connection Diameter



Dimensions

C	6,75 mm	Width Outer ring
d _K	12,7 mm	Ball diameter
α	13 °	Tilt angle
d _{OT}	0,012 mm	Bore diameter bearing, upper tolerance
d _{UT}	0 mm	Bore diameter bearing, lower tolerance
d _T	H7	Bore diameter bearing, tolerance
D _{OT}	0 mm	Outside diameter, upper tolerance
D _{UT}	-0,008 mm	Outside diameter, lower tolerance
B _{OT}	0 mm	Width inner ring, upper tolerance
B _{UT}	-0,12 mm	Width inner ring, lower tolerance
C _{OT}	0 mm	Width outer ring, upper tolerance
C _{UT}	-0,24 mm	Width outer ring, lower tolerance
G _r	0,006 - 0,035	Radial Clearance
G _{rmax}	0,035 mm	Radial clearance, maximum
G _{rmin}	0,006 mm	Radial clearance, minimum

Temperature range

T _{min}	-60 °C	Operating temperature min.
T _{max}	250 °C	Operating temperature max.



Characteristics



Radial load



Axial load in one direction



Axial load in two directions



Grease Lubrication



Not sealed



Static angular error and misalignment



Dynamic angular error and misalignment