

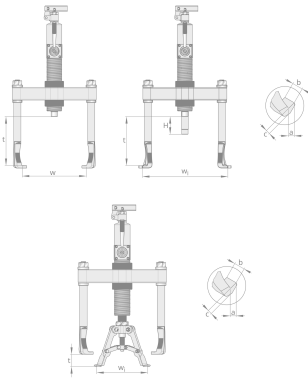


HPP-12T/8T-3-ARM

Hydraulic two-/three-arm puller



Technical information



Technical data

W min	85 mm	Grip width, min.
W max	300 mm	Grip width, max.
a	20 mm	
b	30 mm	
c	10 mm	
	83 mm	Stroke
F _p	75 kN	Pulling force
m	37 kg	Weight

Additional information

Only 3-arm puller, Outer or inner puller (convertible)	Usability
Thrust piece, extension adapter, carrying case	Included in delivery