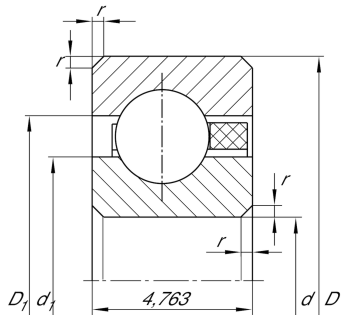


**CSCAA010-TV** [↗](#)

Deep groove ball bearing

Deep groove ball bearing, Thin section bearing CSCAA..-TV, plastic cage

Technical information

**Your current product variant**

Logistical code	HLE	-
Sealing	Without	Not sealed
Cage	TV	Plastic Cage made from PA66
Dimensional / heat stabilization	SN	Rings dimensional stabilized up to 120°
Tolerance class	PL1	Class PL1, Normal
Radial internal clearance	PL1	Class PL1, Normal
Lubricant	Without	Bearing not greased

Main Dimensions & Performance Data

d	25,4 mm	Bore diameter
D	34,925 mm	Outside diameter
B	4,763 mm	Width
C_r	1.790 N	Basic dynamic load rating, radial
C_{0r}	1.080 N	Basic static load rating, radial
n_G	20.000 1/min	Limiting speed
m	10 g	Weight



Dimensions

r_{\min}	0,38 mm	Minimum chamfer dimension
d_1	29 mm	Shoulder diameter inner ring
D_1	31,4 mm	Shoulder diameter outer ring

Temperature range

T_{\min}	-30 °C	Operating temperature min.
T_{\max}	120 °C	Operating temperature max.

Characteristics

-  Radial load
-  Axial load in one direction
-  Axial load in two directions
-  Grease Lubrication
-  Oil Lubrication
-  Not sealed