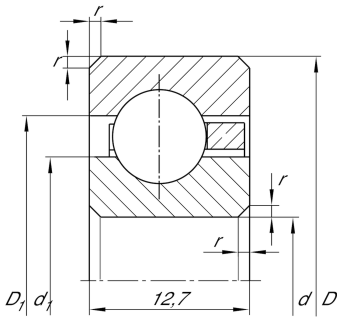


**CSCD050**

Deep groove ball bearing

Deep groove ball bearing, Thin section bearing CSCD, brass sheet metal cage

Technical information



Your current product variant

Logistical code	HLE	-
Sealing	Without	Not sealed
Cage	YH	Brass sheet metal
Dimensional / heat stabilization	SN	Rings dimensional stabilized up to 120°
Tolerance class	PL1	Class PL1, Normal
Radial internal clearance	PL1	Class PL1, Normal
Lubricant	Without	Bearing not greased

Main Dimensions & Performance Data

d	127 mm	Bore diameter
D	152,4 mm	Outside diameter
B	12,7 mm	Width
C _r	13.400 N	Basic dynamic load rating, radial
C _{0r}	14.700 N	Basic static load rating, radial
n _G	4.000 1/min	Limiting speed
≈m	450 g	Weight



Dimensions

r_{min}	1,5 mm	Minimum chamfer dimension
d_1	136,4 mm	Shoulder diameter inner ring
D_1	143 mm	Shoulder diameter outer ring

Temperature range

T_{min}	-30 °C	Operating temperature min.
T_{max}	120 °C	Operating temperature max.

Characteristics

-  Radial load
-  Axial load in one direction
-  Axial load in two directions
-  Grease Lubrication
-  Oil Lubrication
-  Not sealed