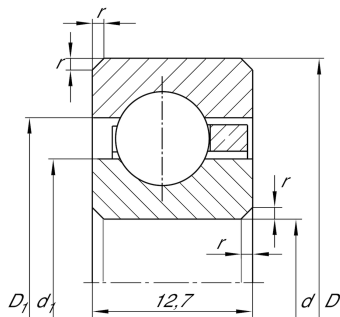


**CSCD100**

Deep groove ball bearing

Deep groove ball bearing, Thin section bearing CSCD, brass sheet metal cage

Technical information

**Your current product variant**

| | | |
|----------------------------------|---------|---|
| Logistical code | HLE | - |
| Sealing | Without | Not sealed |
| Cage | YH | Brass sheet metal |
| Dimensional / heat stabilization | SN | Rings dimensional stabilized up to 120° |
| Tolerance class | PL1 | Class PL1, Normal |
| Radial internal clearance | PL1 | Class PL1, Normal |
| Lubricant | Without | Bearing not greased |

Main Dimensions & Performance Data

| | | |
|-----------------|-------------|-----------------------------------|
| d | 254 mm | Bore diameter |
| D | 279,4 mm | Outside diameter |
| B | 12,7 mm | Width |
| C _r | 17.100 N | Basic dynamic load rating, radial |
| C _{0r} | 29.000 N | Basic static load rating, radial |
| n _G | 2.060 1/min | Limiting speed |
| ≈m | 0,85 kg | Weight |



Dimensions

| | | |
|------------|----------|------------------------------|
| r_{\min} | 1,5 mm | Minimum chamfer dimension |
| d_1 | 263,4 mm | Shoulder diameter inner ring |
| D_1 | 270 mm | Shoulder diameter outer ring |

Temperature range

| | | |
|------------|--------|----------------------------|
| T_{\min} | -30 °C | Operating temperature min. |
| T_{\max} | 120 °C | Operating temperature max. |

Characteristics

-  Radial load
-  Axial load in one direction
-  Axial load in two directions
-  Grease Lubrication
-  Oil Lubrication
-  Not sealed