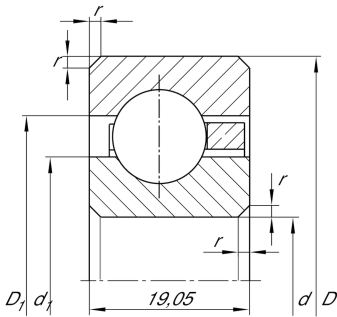


**CSCF080**

## Deep groove ball bearing

Deep groove ball bearing, Thin section bearing CSCF, brass sheet metal cage

## Technical information



## Your current product variant

Logistical code	HLE	-
Sealing	Without	Not sealed
Cage	YH	Brass sheet metal
Dimensional / heat stabilization	SN	Rings dimensional stabilized up to 120°
Tolerance class	PL1	Class PL1, Normal
Radial internal clearance	PL1	Class PL1, Normal
Lubricant	Without	Bearing not greased

## Main Dimensions &amp; Performance Data

d	203,2 mm	Bore diameter
D	241,3 mm	Outside diameter
B	19,05 mm	Width
C <sub>r</sub>	30.000 N	Basic dynamic load rating, radial
C <sub>0r</sub>	38.500 N	Basic static load rating, radial
n <sub>G</sub>	2.430 1/min	Limiting speed
≈m	1,59 kg	Weight



### Dimensions

$r_{\min}$	2 mm	Minimum chamfer dimension
$d_1$	217,3 mm	Shoulder diameter inner ring
$D_1$	227,2 mm	Shoulder diameter outer ring

### Temperature range

$T_{\min}$	-30 °C	Operating temperature min.
$T_{\max}$	120 °C	Operating temperature max.

### Characteristics

-  Radial load
-  Axial load in one direction
-  Axial load in two directions
-  Grease Lubrication
-  Oil Lubrication
-  Not sealed