

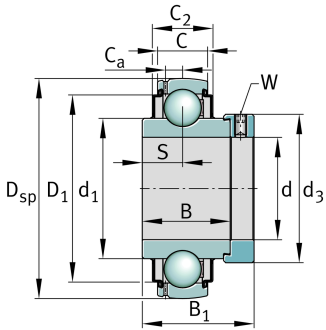
**GNE90-XL-KRR-B**

Radial insert ball bearing

Radial insert ball bearings GNE...-KRR-B, spherical outer ring, location by eccentric locking collar, R seals on both sides

X-life

Technical information

**Main Dimensions & Performance Data**

d	90 mm	Bore diameter
D _{SP}	190 mm	Outside diameter
B	77,5 mm	Width
C _{0r}	107.000 N	Basic static load rating, radial
C _{ur}	3.850 N	Fatigue load limit, radial
B ₁	101 mm	Locking collar total width
C _r	143.000 N	Basic dynamic load rating, radial
≈m	8,07 kg	Weight

Dimensions

C	45 mm	Width, outer ring
C ₂	52,6 mm	Sealing total width
S	35,5 mm	Distance raceway
d ₁	122,2 mm	Rib diameter inner ring
D ₁	161,3 mm	Outside diameter seal
C _a	14,3 mm	Distance to lubrication hole
d ₃	132 mm	Outside diameter locking collar/locknut
W	6 mm	Width of flats



Calculation factors

f_0	13,3	Calculation factor
-------	------	--------------------

Characteristics

-  Radial load
-  Axial load in one direction
-  Axial load in two directions
-  Lifetime lubrication, freedom from maintenance
-  Grease Lubrication
-  Sealed on both sides
-  Static angular error and misalignment