

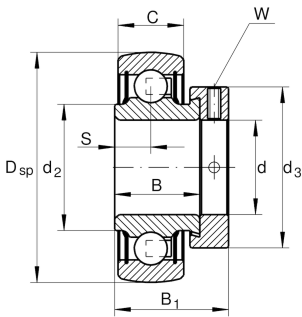
**RAE12-XL-NPP-B**

Radial insert ball bearing

Radial insert ball bearing RAE...XL-NPP-B

X-life

Technical information

**Main Dimensions & Performance Data**

d	12 mm	Bore diameter
D _{SP}	40 mm	Outside diameter
B	19 mm	Width
C _{0r}	4.750 N	Basic static load rating, radial
C _{ur}	248 N	Fatigue load limit, radial
B ₁	28,6 mm	Locking collar total width
C _r	9.800 N	Basic dynamic load rating, radial
≈m	0,13 kg	Weight

Dimensions

C	12 mm	Width, outer ring
S	6,5 mm	Distance raceway
d ₂	23 mm	Rib diameter sealing inner ring
d ₃	28,4 mm	Outside diameter locking collar/locknut
W	3 mm	Width of flats

Calculation factors

f ₀	13	Calculation factor
----------------	----	--------------------



Characteristics



Radial load



Axial load in one direction



Axial load in two directions



Lifetime lubrication, freedom from maintenance



Grease Lubrication



Sealed on both sides



Static angular error and misalignment