

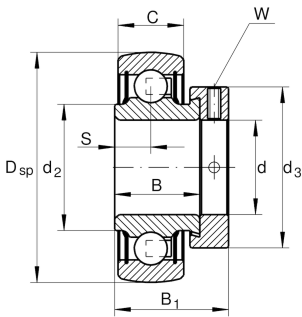
**RAE35-XL-NPP-B-FA106**

Radial insert ball bearing

Radial insert ball bearing RAE...XL-NPP-B

X-life

Technical information

**Main Dimensions & Performance Data**

d	35 mm	Bore diameter
D _{SP}	72 mm	Outside diameter
B	25,4 mm	Width
C _{0r}	15.300 N	Basic static load rating, radial
C _{ur}	650 N	Fatigue load limit, radial
B ₁	39 mm	Locking collar total width
C _r	25.500 N	Basic dynamic load rating, radial
≈m	0,47 kg	Weight

Dimensions

C	19 mm	Width, outer ring
S	9,5 mm	Distance raceway
d ₂	44,6 mm	Rib diameter sealing inner ring
d ₃	55 mm	Outside diameter locking collar/locknut
W	5 mm	Width of flats

Calculation factors

f ₀	13,8	Calculation factor
----------------	------	--------------------



Characteristics

-  Radial load
-  Axial load in one direction
-  Axial load in two directions
-  Lifetime lubrication, freedom from maintenance
-  Grease Lubrication
-  Sealed on both sides
-  Static angular error and misalignment