

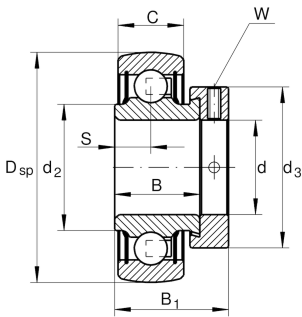
**RAE40-XL-NPP-B**

Radial insert ball bearing

Radial insert ball bearing RAE...XL-NPP-B

X-life

## Technical information

**Main Dimensions & Performance Data**

d	40 mm	Bore diameter
D <sub>SP</sub>	80 mm	Outside diameter
B	30,2 mm	Width
C <sub>0r</sub>	19.800 N	Basic static load rating, radial
C <sub>ur</sub>	1.030 N	Fatigue load limit, radial
B <sub>1</sub>	43,8 mm	Locking collar total width
C <sub>r</sub>	32.500 N	Basic dynamic load rating, radial
≈m	0,63 kg	Weight

**Dimensions**

C	21 mm	Width, outer ring
S	11 mm	Distance raceway
d <sub>2</sub>	49,4 mm	Rib diameter sealing inner ring
d <sub>3</sub>	58 mm	Outside diameter locking collar/locknut
W	5 mm	Width of flats

**Calculation factors**

f <sub>0</sub>	13,6	Calculation factor
----------------	------	--------------------



## Characteristics

---

-  Radial load
-  Axial load in one direction
-  Axial load in two directions
-  Lifetime lubrication, freedom from maintenance
-  Grease Lubrication
-  Sealed on both sides
-  Static angular error and misalignment