

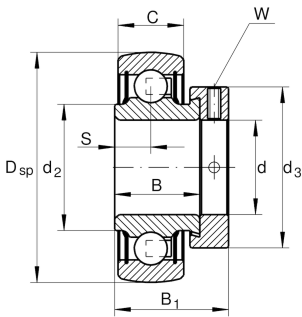
**RALE25-XL-NPP-B**

Radial insert ball bearing

Radial insert ball bearings RALE...-NPP-B, spherical outer ring, location by eccentric locking collar, P seals on both sides

X-life

Technical information

**Main Dimensions & Performance Data**

d	25 mm	Bore diameter
D _{SP}	47 mm	Outside diameter
B	17,5 mm	Width
C _{0r}	5.900 N	Basic static load rating, radial
C _{ur}	280 N	Fatigue load limit, radial
B ₁	25,5 mm	Locking collar total width
C _r	10.100 N	Basic dynamic load rating, radial
≈m	0,12 kg	Weight

Dimensions

C	12 mm	Width, outer ring
S	6 mm	Distance raceway
d ₂	30 mm	Rib diameter sealing inner ring
d ₃	36 mm	Outside diameter locking collar/locknut
W	2,5 mm	Width of flats

Calculation factors

f ₀	14,6	Calculation factor
----------------	------	--------------------



Characteristics

-  Radial load
-  Axial load in one direction
-  Axial load in two directions
-  Lifetime lubrication, freedom from maintenance
-  Grease Lubrication
-  Sealed on both sides
-  Static angular error and misalignment