

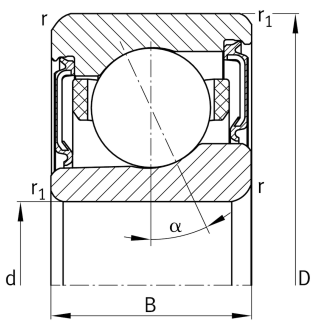
**FAG****M71911-E-2RSD-T-P4S-UL-XL**

High speed spindle bearing

High speed spindle bearing M719..-E-2RSD, adjusted, in pairs or sets, contact angle $\alpha = 25^\circ$, lip seals on both sides, non-contact, restricted tolerances

X-life

Technical information



Your current product variant

Contact angle	E	Contact angle 25°
Type of Seal	2RSD	Non-contact sealed on both sides and greased "for life"
Cage	T	Laminated fabric cage
Tolerance class	P4S	Tolerance class P4S, FAG standard better than P4 to DIN 620
Arrangement bearing set	U	Single bearing
Preload	L	Preload light
Lubricant	GA21	Grease for super precision bearings, standard

Main Dimensions & Performance Data

d	55 mm	Bore diameter
D	80 mm	Outside diameter
B	13 mm	Width
C_r	17.700 N	Basic dynamic load rating, radial
C_{0r}	9.500 N	Basic static load rating, radial
C_{ur}	1.000 N	Fatigue load limit, radial
n_G Grease	22.000 1/min	Limiting speed for grease lubrication
n_G	34.000 1/min	Limiting speed
$\approx m$	168,7 g	Weight



Mounting dimensions

d_a	60 mm	Diameter shaft shoulder
d_a	h12	Diameter shaft shoulder clearance
D_a	75,5 mm	Shoulder diameter outer ring
D_a	H12	Shoulder diameter outer ring clearance
$r_{a \max}$	0,6 mm	Maximum recess radius
$r_{a1 \max}$	0,3 mm	Maximum recess radius
a	22,2 mm	Distance between the apexes of the pressure cones

Dimensions

r_{\min}	1 mm	Minimum chamfer dimension
$r_{1 \min}$	0,6 mm	Minimum chamfer dimension
α	25 °	Contact angle

Temperature range

T_{\min}	-30 °C	Operating temperature min.
T_{\max}	80 °C	Operating temperature max.

Additional information

F_{VL}	150 N	Preload force light
F_{VM}	393 N	Preload force medium
F_{VH}	820 N	Preload force heavy
K_{aEL}	431 N	Lift-off force light
K_{aEM}	1.148 N	Lift-off force medium
K_{aEH}	2.438 N	Lift-off force heavy
c_{aL}	100 N/μm	Axial rigidity light
c_{aM}	141 N/μm	Axial rigidity medium
c_{aH}	186 N/μm	Axial rigidity heavy



Characteristics



Radial load



Axial load in one direction



Lifetime lubrication, freedom from maintenance



Grease Lubrication



Sealed on both sides