



FAG

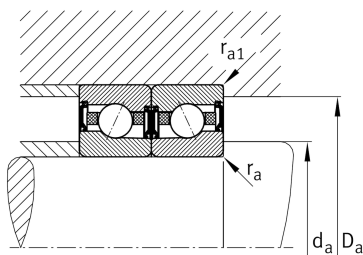
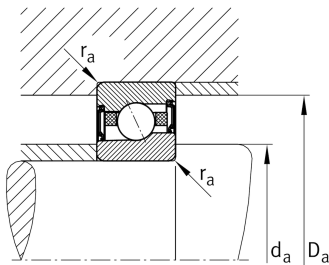
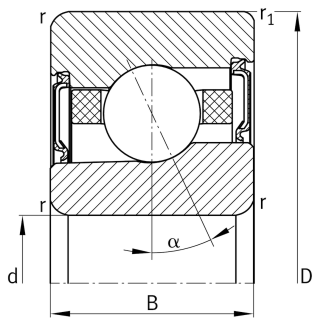
**VCM7014-E-2RSD-T-P4S-UL-XL**

High speed spindle bearing

High speed spindle bearing VCM70..-E-2RSD, adjusted, in pairs or sets, contact angle  $\alpha = 25^\circ$ , with ceramic balls, rings made from Vacrodur, lip seals on both sides, non-contact, restricted tolerances

X-life

## Technical information



## Your current product variant

Preload	L	Preload light
Contact angle	E	Contact angle $25^\circ$
Sealing	2RSD	Non-contact sealed on both sides and greased "for life"
Cage	T	Laminated fabric cage
Tolerance class	P4S	Tolerance class P4S, FAG standard better than P4 to ISO 492:2023
Arrangement bearing set	U	Single bearing

## Main Dimensions &amp; Performance Data

d	70 mm	Bore diameter
D	110 mm	Outside diameter
B	20 mm	Width
$C_r$	63.000 N	Basic dynamic load rating, radial
$C_{0r}$	21.100 N	Basic static load rating, radial
$C_{ur}$	1.080 N	Fatigue load limit, radial
$n_G$ Grease	22.000 1/min	Limiting speed for grease lubrication
$\approx m$	0,589 kg	Weight



### Mounting dimensions

$d_a$	77 mm	Diameter shaft shoulder
$d_a$	h12	Diameter shaft shoulder clearance
$D_a$	102 mm	Shoulder diameter outer ring
$D_a$	H12	Shoulder diameter outer ring clearance
$r_{a \max}$	1 mm	Maximum recess radius
$r_{a1 \max}$	0,6 mm	Maximum recess radius
$a$	31 mm	Distance between the apexes of the pressure cones

### Dimensions

$r_{\min}$	1,1 mm	Minimum chamfer dimension
$r_{1 \min}$	0,6 mm	Minimum chamfer dimension
$\alpha$	25 °	Contact angle

### Temperature range

$T_{\min}$	-30 °C	Operating temperature min.
$T_{\max}$	80 °C	Operating temperature max.

### Additional information

$F_{VL}$	158 N	Preload force light
$F_{VM}$	413 N	Preload force medium
$F_{VH}$	858 N	Preload force heavy
$K_{aEL}$	451 N	Lift-off force light
$K_{aEM}$	1.192 N	Lift-off force medium
$K_{aEH}$	2.508 N	Lift-off force heavy
$c_{aL}$	137 N/ $\mu$ m	Axial rigidity light
$c_{aM}$	192 N/ $\mu$ m	Axial rigidity medium
$c_{aH}$	250 N/ $\mu$ m	Axial rigidity heavy



### Characteristics

---



Radial load



Axial load in one direction



Lifetime lubrication, freedom from maintenance



Grease Lubrication



Sealed on both sides