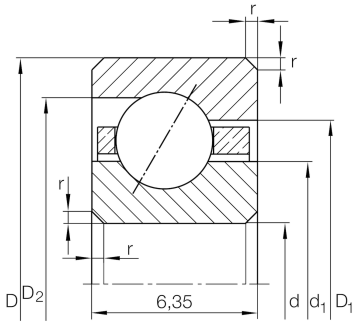


**CSEA047**

## Angular contact ball bearing

Angular contact ball bearing, Thin section bearing CSEA, brass sheet metal cage

## Technical information



## Your current product variant

Logistical code	HLE	-
Sealing	Without	Not sealed
Cage	YP	Brass sheet metal
Tolerance class	PL1	Class PL1, Normal
Lubricant	Without	Bearing not greased

## Main Dimensions &amp; Performance Data

d	120,65 mm	Bore diameter
D	133,35 mm	Outside diameter
B	6,35 mm	Width
C <sub>r</sub>	4.450 N	Basic dynamic load rating, radial
C <sub>0r</sub>	7.100 N	Basic static load rating, radial
n <sub>G</sub>	4.600 1/min	Limiting speed
≈m	100 g	Weight



### Dimensions

$r_{\min}$	0,6 mm	Minimum chamfer dimension
$d_1$	125,3 mm	Shoulder diameter inner ring
$D_1$	128,6 mm	Shoulder diameter on outer ring wide side face
$D_2$	129,9 mm	Shoulder diameter on outer ring small side face
$\alpha$	30 °	Contact angle

### Temperature range

$T_{\min}$	-30 °C	Operating temperature min.
$T_{\max}$	120 °C	Operating temperature max.

### Characteristics

-  Radial load
-  Axial load in one direction
-  Grease Lubrication
-  Oil Lubrication
-  Not sealed