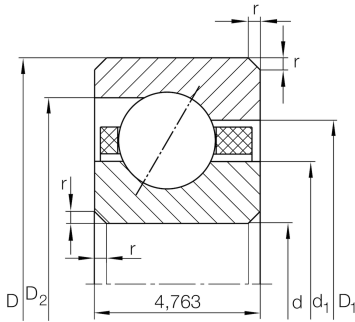


**CSEAA015-TV**

Angular contact ball bearing

Angular contact ball bearing, Thin section bearing CSEAA..-TV, plastic cage

## Technical information

**Your current product variant**

Logistical code	HLE	-
Type of Seal	Without	Not sealed
Cage	TV	Plastic Cage made from PA66
Tolerance class	PL1	Class PL1, Normal
Lubricant	Without	Bearing not greased

**Main Dimensions & Performance Data**

d	38,1 mm	Bore diameter
D	47,625 mm	Outside diameter
B	4,763 mm	Width
C <sub>r</sub>	2.050 N	Basic dynamic load rating, radial
C <sub>0r</sub>	1.860 N	Basic static load rating, radial
n <sub>G</sub>	14.300 1/min	Limiting speed
≈m	20 g	Weight



### Dimensions

$r_{min}$	0,38 mm	Minimum chamfer dimension
$d_1$	41,7 mm	Shoulder diameter inner ring
$D_1$	44,1 mm	Shoulder diameter on outer ring wide side face
$D_2$	45,1 mm	Shoulder diameter on outer ring small side face
$\alpha$	30 °	Contact angle

### Temperature range

$T_{min}$	-30 °C	Operating temperature min.
$T_{max}$	120 °C	Operating temperature max.

### Characteristics

-  Radial load
-  Axial load in one direction
-  Grease Lubrication
-  Oil Lubrication
-  Not sealed