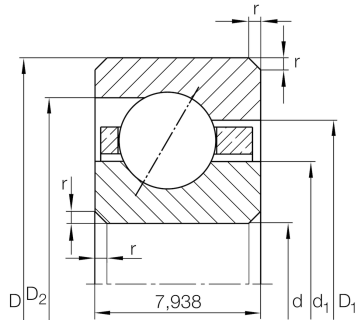


**CSEB055**

Angular contact ball bearing

Angular contact ball bearing, Thin section bearing CSEB, brass sheet metal cage

Technical information



Your current product variant

Logistical code	HLE	-
Type of Sealing	Without	Not sealed
Cage	YP	Brass sheet metal
Tolerance class	PL1	Class PL1, Normal
Lubricant	Without	Bearing not greased

Main Dimensions & Performance Data

d	139,7 mm	Bore diameter
D	155,575 mm	Outside diameter
B	7,938 mm	Width
C _r	6.700 N	Basic dynamic load rating, radial
C _{0r}	11.100 N	Basic static load rating, radial
n _G	3.900 1/min	Limiting speed
≈m	190 g	Weight





Dimensions

r_{min}	1 mm	Minimum chamfer dimension
d_1	145,6 mm	Shoulder diameter inner ring
D_1	149,7 mm	Shoulder diameter on outer ring wide side face
D_2	151,3 mm	Shoulder diameter on outer ring small side face
α	30 °	Contact angle

Temperature range

T_{min}	-30 °C	Operating temperature min.
T_{max}	120 °C	Operating temperature max.

Characteristics

-  Radial load
-  Axial load in one direction
-  Grease Lubrication
-  Oil Lubrication
-  Not sealed