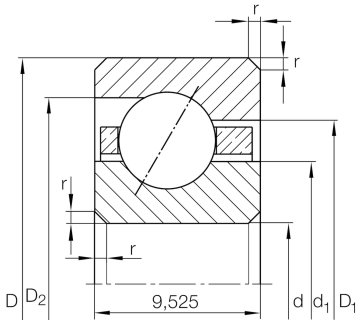


**CSEC040**

## Angular contact ball bearing

Angular contact ball bearing, Thin section bearing CSEC, brass sheet metal cage

## Technical information

**Your current product variant**

Logistical code	HLE	-
Sealing	Without	Not sealed
Cage	YP	Brass sheet metal
Tolerance class	PL1	Class PL1, Normal
Lubricant	Without	Bearing not greased

**Main Dimensions & Performance Data**

d	101,6 mm	Bore diameter
D	120,65 mm	Outside diameter
B	9,525 mm	Width
C <sub>r</sub>	8.000 N	Basic dynamic load rating, radial
C <sub>0r</sub>	10.100 N	Basic static load rating, radial
n <sub>G</sub>	5.200 1/min	Limiting speed
≈m	200 g	Weight



### Dimensions

$r_{\min}$	1 mm	Minimum chamfer dimension
$d_1$	108,6 mm	Shoulder diameter inner ring
$D_1$	113,6 mm	Shoulder diameter on outer ring wide side face
$D_2$	115,7 mm	Shoulder diameter on outer ring small side face
$\alpha$	30 °	Contact angle

### Temperature range

$T_{\min}$	-30 °C	Operating temperature min.
$T_{\max}$	120 °C	Operating temperature max.

### Characteristics

-  Radial load
-  Axial load in one direction
-  Grease Lubrication
-  Oil Lubrication
-  Not sealed