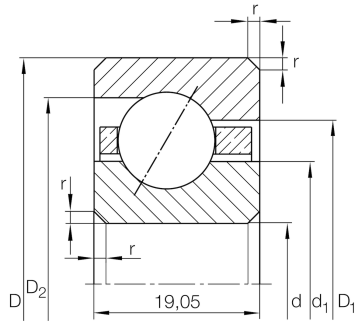


**CSEF080** [↗](#)

Angular contact ball bearing

Angular contact ball bearing, Thin section bearing CSEF, brass sheet metal cage

Technical information

**Your current product variant**

Logistical code	HLE	-
Sealing	Without	Not sealed
Cage	YP	Brass sheet metal
Tolerance class	PL1	Class PL1, Normal
Lubricant	Without	Bearing not greased

Main Dimensions & Performance Data

d	203,2 mm	Bore diameter
D	241,3 mm	Outside diameter
B	19,05 mm	Width
C_r	30.500 N	Basic dynamic load rating, radial
C_{0r}	46.500 N	Basic static load rating, radial
n_G	2.450 1/min	Limiting speed
$\approx m$	1,64 kg	Weight








Dimensions

r_{\min}	2 mm	Minimum chamfer dimension
d_1	217,3 mm	Shoulder diameter inner ring
D_1	227,2 mm	Shoulder diameter on outer ring wide side face
D_2	231,4 mm	Shoulder diameter on outer ring small side face
α	30 °	Contact angle

Temperature range

T_{\min}	-30 °C	Operating temperature min.
T_{\max}	120 °C	Operating temperature max.

Characteristics

-  Radial load
-  Axial load in one direction
-  Grease Lubrication
-  Oil Lubrication
-  Not sealed