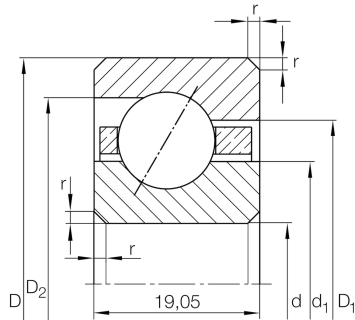


**CSEF100** [↗](#)

Angular contact ball bearing

Angular contact ball bearing, Thin section bearing CSEF, brass sheet metal cage

Technical information

**Your current product variant**

| | | |
|-----------------|---------|---------------------|
| Logistical code | HLE | - |
| Type of Seal | Without | Not sealed |
| Cage | YP | Brass sheet metal |
| Tolerance class | PL1 | Class PL1, Normal |
| Lubricant | Without | Bearing not greased |

Main Dimensions & Performance Data

| | | |
|-----------------|-------------|-----------------------------------|
| d | 254 mm | Bore diameter |
| D | 292,1 mm | Outside diameter |
| B | 19,05 mm | Width |
| C _r | 33.000 N | Basic dynamic load rating, radial |
| C _{0r} | 58.000 N | Basic static load rating, radial |
| n _G | 1.980 1/min | Limiting speed |
| ≈m | 1,99 kg | Weight |



Dimensions

| | | |
|------------|----------|---|
| r_{\min} | 2 mm | Minimum chamfer dimension |
| d_1 | 268,1 mm | Shoulder diameter inner ring |
| D_1 | 278 mm | Shoulder diameter on outer ring wide side face |
| D_2 | 282,1 mm | Shoulder diameter on outer ring small side face |
| α | 30 ° | Contact angle |

Temperature range

| | | |
|------------|--------|----------------------------|
| T_{\min} | -30 °C | Operating temperature min. |
| T_{\max} | 120 °C | Operating temperature max. |

Characteristics

-  Radial load
-  Axial load in one direction
-  Grease Lubrication
-  Oil Lubrication
-  Not sealed