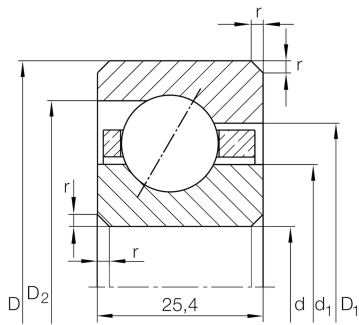


**CSEG075**

Angular contact ball bearing

Angular contact ball bearing, Thin section bearing CSEG, brass sheet metal cage

Technical information

**Your current product variant**

Logistical code	HLE	-
Sealing	Without	Not sealed
Cage	YP	Brass sheet metal
Tolerance class	PL1	Class PL1, Normal
Lubricant	Without	Bearing not greased

Main Dimensions & Performance Data

d	190,5 mm	Bore diameter
D	241,3 mm	Outside diameter
B	25,4 mm	Width
C _r	47.000 N	Basic dynamic load rating, radial
C _{0r}	63.000 N	Basic static load rating, radial
n _G	2.480 1/min	Limiting speed
≈m	2,81 kg	Weight



Dimensions

r_{\min}	2 mm	Minimum chamfer dimension
d_1	209,4 mm	Shoulder diameter inner ring
D_1	222,5 mm	Shoulder diameter on outer ring wide side face
D_2	228,3 mm	Shoulder diameter on outer ring small side face
α	30 °	Contact angle

Temperature range

T_{\min}	-30 °C	Operating temperature min.
T_{\max}	120 °C	Operating temperature max.

Characteristics

-  Radial load
-  Axial load in one direction
-  Grease Lubrication
-  Oil Lubrication
-  Not sealed