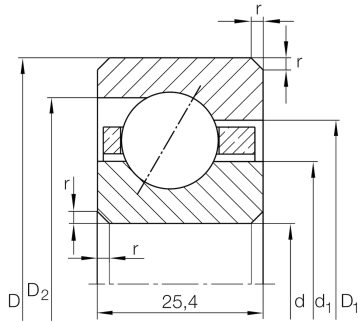


**CSEG120**

## Angular contact ball bearing

Angular contact ball bearing, Thin section bearing CSEG, brass sheet metal cage

## Technical information

**Your current product variant**

|                 |         |                     |
|-----------------|---------|---------------------|
| Logistical code | HLE     | -                   |
| Sealing         | Without | Not sealed          |
| Cage            | YP      | Brass sheet metal   |
| Tolerance class | PL1     | Class PL1, Normal   |
| Lubricant       | Without | Bearing not greased |

**Main Dimensions & Performance Data**

|                 |             |                                   |
|-----------------|-------------|-----------------------------------|
| d               | 304,8 mm    | Bore diameter                     |
| D               | 355,6 mm    | Outside diameter                  |
| B               | 25,4 mm     | Width                             |
| C <sub>r</sub>  | 55.000 N    | Basic dynamic load rating, radial |
| C <sub>0r</sub> | 98.000 N    | Basic static load rating, radial  |
| n <sub>G</sub>  | 1.610 1/min | Limiting speed                    |
| ≈m              | 4,29 kg     | Weight                            |





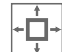
## Dimensions

|            |          |   |
|------------|----------|---|
| $r_{\min}$ | 2 mm     | Minimum chamfer dimension                       |
| $d_1$      | 323,7 mm | Shoulder diameter inner ring                    |
| $D_1$      | 336,8 mm | Shoulder diameter on outer ring wide side face  |
| $D_2$      | 342,4 mm | Shoulder diameter on outer ring small side face |
| $\alpha$   | 30 °     | Contact angle                                   |

## Temperature range

|            |        |                            |
|------------|--------|----------------------------|
| $T_{\min}$ | -30 °C | Operating temperature min. |
| $T_{\max}$ | 120 °C | Operating temperature max. |

## Characteristics

|   |                             |
|---|-----------------------------|
|   | Radial load                 |
|  | Axial load in one direction |
|  | Grease Lubrication          |
|  | Oil Lubrication             |
|  | Not sealed                  |
|  | Large bearing               |