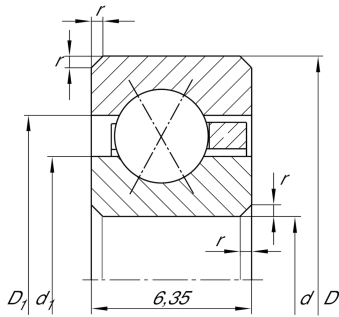


**CSXA075**

Four-point contact bearing

Four point contact bearing, Thin section bearing CSXA, brass sheet metal cage

Technical information



Your current product variant

Logistical code	HLE	-
Sealing	Without	Not sealed
Cage	YH	Brass sheet metal
Tolerance class	PL1	Class PL1, Normal
Radial internal clearance	PL1	Class PL1, Normal
Lubricant	Without	Bearing not greased

Main Dimensions & Performance Data

d	190,5 mm	Bore diameter
D	203,2 mm	Outside diameter
B	6,35 mm	Width
C_r	7.000 N	Basic dynamic load rating, radial
C_{0r}	16.700 N	Basic static load rating, radial
n_G	1.590 1/min	Limiting speed
$\approx m$	150 g	Weight

Dimensions

r_{\min}	0,6 mm	Minimum chamfer dimension
d_1	195,2 mm	Shoulder diameter inner ring
D_1	198,5 mm	Shoulder diameter outer ring
α	30 °	Contact angle



Temperature range

T_{\min}	-30 °C	Operating temperature min.
T_{\max}	120 °C	Operating temperature max.

Characteristics



Radial load



Axial load in one direction



Axial load in two directions



Grease Lubrication



Oil Lubrication



Not sealed