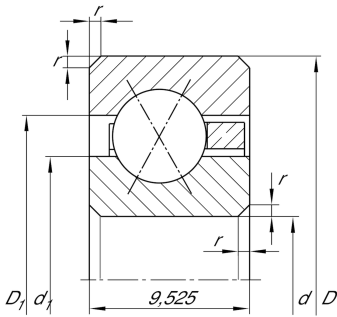


**CSXC040**

## Four-point contact bearing

Four point contact bearing, Thin section bearing CSXC, brass sheet metal cage

## Technical information



## Your current product variant

|                           |         |                     |
|---------------------------|---------|---------------------|
| Logistical code           | HLE     | -                   |
| Type of Sealing           | Without | Not sealed          |
| Cage                      | YH      | Brass sheet metal   |
| Tolerance class           | PL1     | Class PL1, Normal   |
| Radial internal clearance | PL1     | Class PL1, Normal   |
| Lubricant                 | Without | Bearing not greased |

## Main Dimensions &amp; Performance Data

|          |             |                                   |
|----------|-------------|-----------------------------------|
| d        | 101,6 mm    | Bore diameter                     |
| D        | 120,65 mm   | Outside diameter                  |
| B        | 9,525 mm    | Width                             |
| $C_r$    | 10.400 N    | Basic dynamic load rating, radial |
| $C_{0r}$ | 14.400 N    | Basic static load rating, radial  |
| $n_G$    | 3.150 1/min | Limiting speed                    |
| $m$      | 200 g       | Weight                            |

## Dimensions

|            |          |                              |
|------------|----------|------------------------------|
| $r_{\min}$ | 1 mm     | Minimum chamfer dimension    |
| $d_1$      | 108,6 mm | Shoulder diameter inner ring |
| $D_1$      | 113,6 mm | Shoulder diameter outer ring |
| $\alpha$   | 30 °     | Contact angle                |



### Temperature range

|           |        |                            |
|-----------|--------|----------------------------|
| $T_{min}$ | -30 °C | Operating temperature min. |
| $T_{max}$ | 120 °C | Operating temperature max. |

### Characteristics



Radial load



Axial load in one direction



Axial load in two directions



Grease Lubrication



Oil Lubrication



Not sealed