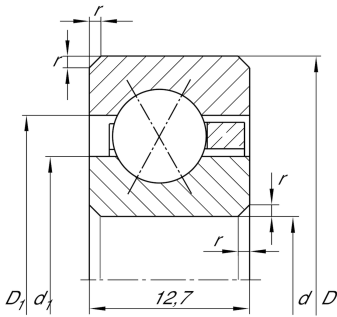


**CSXD040**

Four-point contact bearing

Four point contact bearing, Thin section bearing CSXD, brass sheet metal cage

Technical information

**Your current product variant**

Logistical code	HLE	-
Sealing	Without	Not sealed
Cage	YH	Brass sheet metal
Tolerance class	PL1	Class PL1, Normal
Radial internal clearance	PL1	Class PL1, Normal
Lubricant	Without	Bearing not greased

Main Dimensions & Performance Data

d	101,6 mm	Bore diameter
D	127 mm	Outside diameter
B	12,7 mm	Width
C_r	16.500 N	Basic dynamic load rating, radial
C_{0r}	20.800 N	Basic static load rating, radial
n_G	3.000 1/min	Limiting speed
$\approx m$	350 g	Weight

Dimensions

r_{\min}	1,5 mm	Minimum chamfer dimension
d_1	111 mm	Shoulder diameter inner ring
D_1	117,6 mm	Shoulder diameter outer ring
α	30 °	Contact angle



Temperature range

T_{min}	-30 °C	Operating temperature min.
T_{max}	120 °C	Operating temperature max.

Characteristics



Radial load



Axial load in one direction



Axial load in two directions



Grease Lubrication



Oil Lubrication



Not sealed