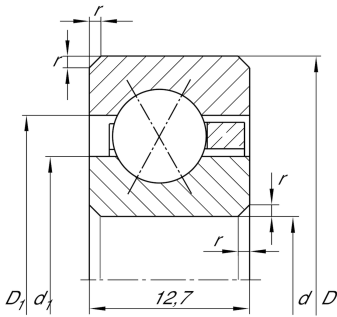


**CSXD050**

## Four-point contact bearing

Four point contact bearing, Thin section bearing CSXD, brass sheet metal cage

## Technical information

**Your current product variant**

Logistical code	HLE	-
Sealing	Without	Not sealed
Cage	YH	Brass sheet metal
Tolerance class	PL1	Class PL1, Normal
Radial internal clearance	PL1	Class PL1, Normal
Lubricant	Without	Bearing not greased

**Main Dimensions & Performance Data**

d	127 mm	Bore diameter
D	152,4 mm	Outside diameter
B	12,7 mm	Width
$C_r$	17.800 N	Basic dynamic load rating, radial
$C_{0r}$	25.500 N	Basic static load rating, radial
$n_G$	2.350 1/min	Limiting speed
$\approx m$	450 g	Weight

**Dimensions**

$r_{\min}$	1,5 mm	Minimum chamfer dimension
$d_1$	136,4 mm	Shoulder diameter inner ring
$D_1$	143 mm	Shoulder diameter outer ring
$\alpha$	30 °	Contact angle



### Temperature range

$T_{min}$	-30 °C	Operating temperature min.
$T_{max}$	120 °C	Operating temperature max.

### Characteristics



Radial load



Axial load in one direction



Axial load in two directions



Grease Lubrication



Oil Lubrication



Not sealed