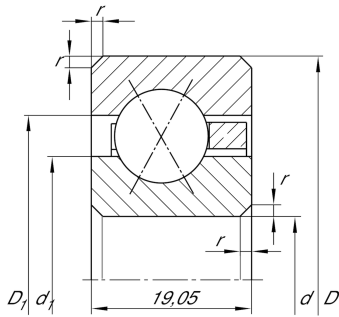


**CSXF100** [↗](#)

## Four-point contact bearing

Four point contact bearing, Thin section bearing CSXF, brass sheet metal cage

## Technical information



## Your current product variant

Logistical code	HLE	-
Sealing	Without	Not sealed
Cage	YH	Brass sheet metal
Tolerance class	PL1	Class PL1, Normal
Radial internal clearance	PL1	Class PL1, Normal
Lubricant	Without	Bearing not greased

## Main Dimensions &amp; Performance Data

d	254 mm	Bore diameter
D	292,1 mm	Outside diameter
B	19,05 mm	Width
$C_r$	43.000 N	Basic dynamic load rating, radial
$C_{0r}$	84.000 N	Basic static load rating, radial
$n_G$	1.030 1/min	Limiting speed
$m$	1,95 kg	Weight

## Dimensions

$r_{\min}$	2 mm	Minimum chamfer dimension
$d_1$	268,1 mm	Shoulder diameter inner ring
$D_1$	278 mm	Shoulder diameter outer ring
$\alpha$	30 °	Contact angle



### Temperature range

$T_{min}$	-30 °C	Operating temperature min.
$T_{max}$	120 °C	Operating temperature max.

### Characteristics



Radial load



Axial load in one direction



Axial load in two directions



Grease Lubrication



Oil Lubrication



Not sealed