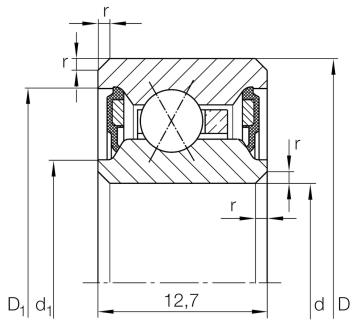


**CSXU065-2RS**

Four-point contact bearing

Four point contact bearing, Thin section bearing CSXU..-2RS, seals, brass sheet metal cage

Technical information



Your current product variant

| | | |
|---------------------------|--------------------|----------------------------|
| Logistical code | HLE | - |
| Sealing | 2RS | Contact seal on both sides |
| Cage | YH | Brass sheet metal |
| Tolerance class | PL1 | Class PL1, Normal |
| Radial internal clearance | PL1 | Class PL1, Normal |
| Lubricant | Lubricating grease | |

Main Dimensions & Performance Data

| | | |
|----------|-------------|-----------------------------------|
| d | 165,1 mm | Bore diameter |
| D | 184,15 mm | Outside diameter |
| B | 12,7 mm | Width |
| C_r | 12.300 N | Basic dynamic load rating, radial |
| C_{0r} | 23.000 N | Basic static load rating, radial |
| n_G | 1.270 1/min | Limiting speed |
| m | 390 g | Weight |



Dimensions

| | | |
|------------|----------|------------------------------|
| r_{\min} | 0,38 mm | Minimum chamfer dimension |
| d_1 | 172,1 mm | Shoulder diameter inner ring |
| D_1 | 177,1 mm | Shoulder diameter outer ring |
| d_1 | 168,9 mm | Caliber diameter inner ring |
| D_1 | 178,7 mm | Caliber diameter outer ring |
| α | 30 ° | Contact angle |

Temperature range

| | | |
|------------|--------|----------------------------|
| T_{\min} | -25 °C | Operating temperature min. |
| T_{\max} | 120 °C | Operating temperature max. |

Characteristics



Radial load



Axial load in one direction



Axial load in two directions



Lifetime lubrication, freedom from maintenance



Grease Lubrication



Sealed on both sides