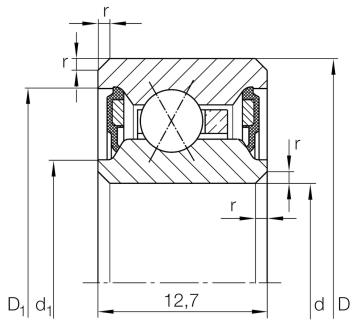


**CSXU090-2RS**

Four-point contact bearing

Four point contact bearing, Thin section bearing CSXU..-2RS, seals, brass sheet metal cage

Technical information



Your current product variant

Logistical code	HLE	-
Sealing	2RS	Contact seal on both sides
Cage	YH	Brass sheet metal
Tolerance class	PL1	Class PL1, Normal
Radial internal clearance	PL1	Class PL1, Normal
Lubricant	Lubricating grease	

Main Dimensions & Performance Data

d	228,6 mm	Bore diameter
D	247,65 mm	Outside diameter
B	12,7 mm	Width
C_r	13.800 N	Basic dynamic load rating, radial
C_{0r}	31.500 N	Basic static load rating, radial
n_G	870 1/min	Limiting speed
m	0,54 kg	Weight



Dimensions

r_{\min}	0,38 mm	Minimum chamfer dimension
d_1	235,6 mm	Shoulder diameter inner ring
D_1	240,6 mm	Shoulder diameter outer ring
d_1	232,4 mm	Caliber diameter inner ring
D_1	242,2 mm	Caliber diameter outer ring
α	30 °	Contact angle

Temperature range

T_{\min}	-25 °C	Operating temperature min.
T_{\max}	120 °C	Operating temperature max.

Characteristics



Radial load



Axial load in one direction



Axial load in two directions



Lifetime lubrication, freedom from maintenance



Grease Lubrication



Sealed on both sides