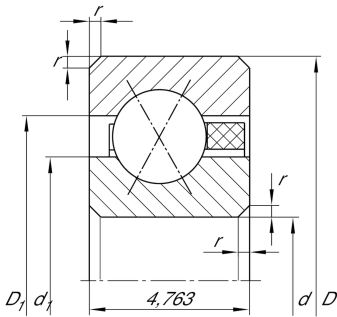


**CSXAA010-TV**

Four-point contact bearing

Four point contact bearing, Thin section bearing CSXAA..-TV, plastic cage

Technical information

**Your current product variant**

Type of Seal	Without	Not sealed
Cage	TV	Plastic Cage made from PA66
Tolerance class	PL1	Class PL1, Normal
Radial internal clearance	PL1	Class PL1, Normal
Lubricant	Without	Bearing not greased

Main Dimensions & Performance Data

d	25,4 mm	Bore diameter
D	34,925 mm	Outside diameter
B	4,763 mm	Width
C_r	2.700 N	Basic dynamic load rating, radial
C_{0r}	2.310 N	Basic static load rating, radial
n_G	10.800 1/min	Limiting speed
m	13,26 g	Weight

Dimensions

r_{min}	0,3 mm	Minimum chamfer dimension
d_1	28,97 mm	Shoulder diameter inner ring
D_1	31,36 mm	Shoulder diameter outer ring
α	30 °	Contact angle



Temperature range

T_{min}	-30 °C	Operating temperature min.
T_{max}	120 °C	Operating temperature max.

Characteristics



Radial load



Axial load in one direction



Axial load in two directions



Grease Lubrication



Oil Lubrication



Not sealed