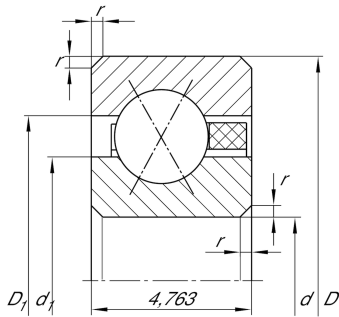


**CSXAA015-TV** [↗](#)

## Four-point contact bearing

Four point contact bearing, Thin section bearing CSXAA..-TV, plastic cage

## Technical information

**Your current product variant**

Type of Seal	Without	Not sealed
Cage	TV	Plastic Cage made from PA66
Tolerance class	PL1	Class PL1, Normal
Radial internal clearance	PL1	Class PL1, Normal
Lubricant	Without	Bearing not greased

**Main Dimensions & Performance Data**

d	38,1 mm	Bore diameter
D	47,625 mm	Outside diameter
B	4,763 mm	Width
$C_r$	3.050 N	Basic dynamic load rating, radial
$C_{0r}$	3.300 N	Basic static load rating, radial
$n_G$	8.600 1/min	Limiting speed
$m$	19,27 g	Weight

**Dimensions**

$r_{min}$	0,3 mm	Minimum chamfer dimension
$d_1$	41,67 mm	Shoulder diameter inner ring
$D_1$	44,06 mm	Shoulder diameter outer ring
$\alpha$	30 °	Contact angle



### Temperature range

$T_{min}$	-30 °C	Operating temperature min.
$T_{max}$	120 °C	Operating temperature max.

### Characteristics



Radial load



Axial load in one direction



Axial load in two directions



Grease Lubrication



Oil Lubrication



Not sealed