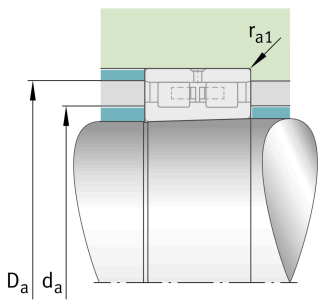
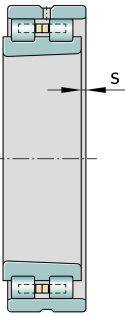


**FAG****NN3048-AS-K-M-SP**

## Cylindrical roller bearing

Super precision cylindrical roller bearings  
 NN30...-AS-K-M-SP, non-locating bearing,  
 double row, with tapered bore, taper 1:12,  
 separable, with cage

## Technical information

**Your current product variant**

Cage	M	Brass Cage
Tolerance class	SP	Tolerance class SP
Bore type	K	Tapered, taper 1:12
Change mark	A	Internal Variant A
Radial internal clearance	C1 (Group 1)	Internal clearance smaller than C2
Number of rows	2	Double-row design

**Main Dimensions & Performance Data**

d	240 mm	Bore diameter
D	360 mm	Outside diameter
B	92 mm	Width
$C_r$	840.000 N	Basic dynamic load rating, radial
$C_{0r}$	1.580.000 N	Basic static load rating, radial
$C_{ur}$	177.000 N	Fatigue load limit, radial
$n_{G \text{ Grease}}$	2.170 1/min	Limiting speed for grease lubrication
$n_{G \text{ Oil}}$	2.550 1/min	Limiting speed for oil lubrication
$\approx m$	30,8 kg	Weight



### Mounting dimensions

$d_a$	274 mm	Diameter shaft shoulder
	h12	Diameter shaft shoulder tolerance
$D_a$	337 mm	Diameter of housing shoulder
	H12	Shoulder diameter outer ring clearance
$r_{a1 \max}$	2,5 mm	Maximum recess radius

### Dimensions

$r_{1 \min}$	3 mm	Minimum chamfer dimension
E	330 mm	Raceway diameter outer ring
$n_s$	15 mm	Width of lubricating groove
$d_s$	8 mm	Diameter lubrication hole
s	6,1 mm	Axial displacement

### Temperature range

$T_{\min}$	-30 °C	Operating temperature min.
$T_{\max}$	150 °C	Operating temperature max.

### Characteristics

	Radial load
	Grease Lubrication
	Oil Lubrication
	Not sealed
	Large bearing