

**SL185032-A-BR-C3-2S**

## Cylindrical roller bearing

Cylindrical roller bearing SL1850..-A, full complement roller set, two-row, semi-locating bearing, 1 rib on outer ring, 3 ribs on inner ring, type SL18

## Technical information

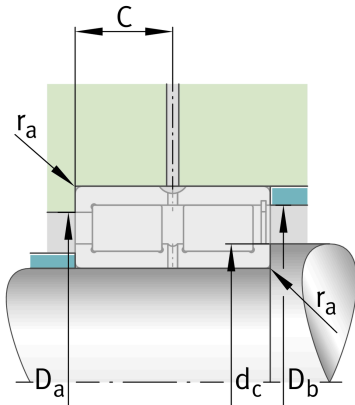


## Your current product variant

Design	A	Internal Variant A
Radial internal clearance	C3 (Group 3)	Internal clearance larger than CN
Tolerance class	PN	Normal (PN)
Number of rolling element rows	2	Double-row design

## Main Dimensions &amp; Performance Data

d	160 mm	Bore diameter
D	240 mm	Outside diameter
B	109 mm	Width
$C_r$	930.000 N	Basic dynamic load rating, radial
$C_{0r}$	1.610.000 N	Basic static load rating, radial
$C_{ur}$	210.000 N	Fatigue load limit, radial
$n_G$	1.600 1/min	Limiting speed
$n_{gr}$	1.030 1/min	Reference speed
$\approx m$	16,465 kg	Weight





### Mounting dimensions

$d_{c \min}$	184,5 mm	Minimum shaft shoulder
$d_{a \min}$	184,8 mm	Minimum diameter shaft shoulder
$D_{a \max}$	216 mm	Maximum diameter of housing shoulder
$r_{a \max}$	2,1 mm	Maximum recess radius
$r_{a1 \max}$	2,1 mm	Maximum recess radius
$D_{e \min}$	215,8 mm	Minimum diameter of housing shoulder

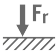
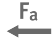



### Dimensions

$r_{\min}$	2,1 mm	Minimum chamfer dimension
$r_{1 \min}$	2,1 mm	Minimum chamfer dimension
s	6 mm	Axial displacement
C	54,5 mm	Distance to lubrication hole
$d_1$	184,8 mm	Maximum rib diameter inner ring
$D_1 \min$	215,8 mm	Minimum rib diameter outer ring
E	224,8 mm	Raceway diameter outer ring

### Temperature range

$T_{\min}$	-30 °C	Operating temperature min.
$T_{\max}$	120 °C	Operating temperature max.

### Characteristics

	Radial load
	Axial load in one direction
	Grease Lubrication
	Oil Lubrication
	Not sealed