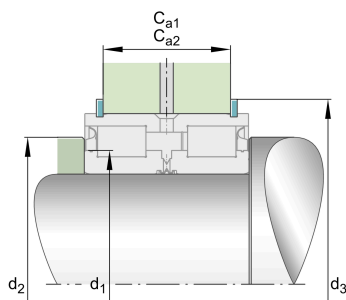


**SL045009-PP**

Cylindrical roller bearing

Cylindrical roller bearing SL04...-PP, full complement roller set, two-row, locating bearing, central rib on outer ring, 3 ribs on inner ring, type SL04

Technical information

**Your current product variant**

Sealing	PP	Contact Seal on both sides
Radial internal clearance	CN (Group N)	Normal internal clearance
Tolerance class	PN	Normal (PN)
Number of rows	2	Double-row design

Main Dimensions & Performance Data

d	45 mm	Bore diameter
D	75 mm	Outside diameter
B	40 mm	Width
C_r	97.000 N	Basic dynamic load rating, radial
C_{0r}	139.000 N	Basic static load rating, radial
C_{ur}	20.200 N	Fatigue load limit, radial
n_G Grease	2.800 1/min	Limiting speed for grease lubrication
$\approx m$	656,4 g	Weight



Mounting dimensions

C _{a1}	30 mm	Mounting dim for snap ring WRE (not included in delivery) Tolerance: 0/-0,2
C _{a2}	29 mm	Mounting dim for retaining ring to DIN 471 (not incl. In delivery) Tol: 0/-0,2
d ₁	57,5 mm	Rib diameter inner ring
d ₂	61 mm	Sealing diameter (rib)
d ₃	82 mm	Outside diameter of snap ring WRE
d _{1 min}	57,5 mm	Minimum diameter shaft shoulder
	30 °	Chamfer angle
	-0,2 mm	Lower distance snap ring tolerance
	-0,2 mm	Lower distance retaining ring tolerance
	0 mm	Upper distance snap ring tolerance
	0 mm	Upper distance retaining ring tolerance
	0 mm	Lower distance ring groove tolerance
	0,2 mm	Upper distance ring groove tolerance

Dimensions

C	39 mm	Width, outer ring
C ₁	34,2 mm	Distance ring grooves
D ₁	72,8 mm	Diameter of groove
m	2,7 mm	Width of groove
r _{min}	0,6 mm	Minimum chamfer dimension
t	0,8 mm	Chamfer width
X	30,5 mm	Distance between rolling elements

Temperature range

T _{min}	-20 °C	Operating temperature min.
T _{max}	80 °C	Operating temperature max.



Characteristics



Radial load



Axial load in one direction



Axial load in two directions



Lifetime lubrication, freedom from maintenance



Grease Lubrication



Sealed on both sides