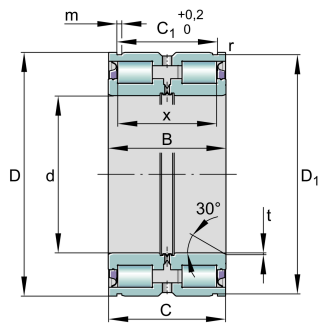
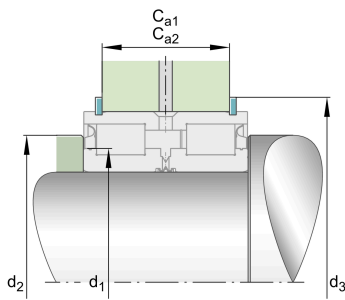


**SL045012-PP-C3**

Cylindrical roller bearing

Cylindrical roller bearing SL04...-PP, full complement roller set, two-row, locating bearing, central rib on outer ring, 3 ribs on inner ring, type SL04

Technical information



Your current product variant

| | | |
|---------------------------|--------------|-----------------------------------|
| Sealing | PP | Contact Seal on both sides |
| Radial internal clearance | C3 (Group 3) | Internal clearance larger than CN |
| Tolerance class | PN | Normal (ISO 492:2023) |
| Number of rows | 2 | Double-row design |

Main Dimensions & Performance Data

| | | |
|-----------------|-------------|---------------------------------------|
| d | 60 mm | Bore diameter |
| D | 95 mm | Outside diameter |
| B | 46 mm | Width |
| C_r | 125.000 N | Basic dynamic load rating, radial |
| C_{0r} | 201.000 N | Basic static load rating, radial |
| C_{ur} | 28.000 N | Fatigue load limit, radial |
| n_G Grease | 2.180 1/min | Limiting speed for grease lubrication |
| $\approx m$ | 1.175,1 g | Weight |



Mounting dimensions

| | | |
|--------------------|---------|--|
| C _{a1} | 35 mm | Mounting dim for snap ring WRE (not included in delivery) Tolerance: 0/-0,2 |
| C _{a2} | 34 mm | Mounting dim for retaining ring to DIN 471 (not incl. In delivery) Tol: 0/-0,2 |
| d ₁ | 74 mm | Rib diameter inner ring |
| d ₂ | 79 mm | Sealing diameter (rib) |
| d ₃ | 104 mm | Outside diameter of snap ring WRE |
| d _{1 min} | 74 mm | Minimum diameter shaft shoulder |
| | 30 ° | Chamfer angle |
| | -0,2 mm | Lower distance snap ring tolerance |
| | -0,2 mm | Lower distance retaining ring tolerance |
| | 0 mm | Upper distance snap ring tolerance |
| | 0 mm | Upper distance retaining ring tolerance |
| | 0 mm | Lower distance ring groove tolerance |
| | 0,2 mm | Upper distance ring groove tolerance |

Dimensions

| | | |
|------------------|---------|-----------------------------------|
| C | 45 mm | Width, outer ring |
| C ₁ | 40,2 mm | Distance ring grooves |
| D ₁ | 92,4 mm | Diameter of groove |
| m | 3,2 mm | Width of groove |
| r _{min} | 0,6 mm | Minimum chamfer dimension |
| t | 1 mm | Chamfer width |
| X | 36 mm | Distance between rolling elements |

Temperature range

| | | |
|------------------|--------|----------------------------|
| T _{min} | -20 °C | Operating temperature min. |
| T _{max} | 80 °C | Operating temperature max. |



Characteristics



Radial load



Axial load in one direction



Axial load in two directions



Lifetime lubrication, freedom from maintenance



Grease Lubrication



Sealed on both sides