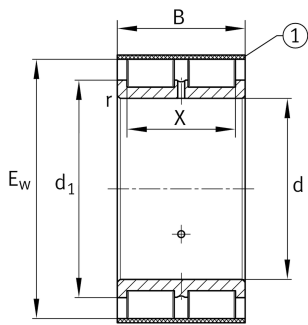


**RSL185006-A** [↗](#)

Cylindrical roller bearing

Cylindrical roller bearing RSL18, full complement roller set, two-row, semi-locating bearing, no outer ring, 3 ribs on inner ring, type RSL18

Technical information



Your current product variant

Design	A	Internal Variant Cage A
Tolerance class	PN	Normal (ISO 492:2023)
Number of rows	2	Double-row design

Main Dimensions & Performance Data

d	30 mm	Rib diameter inner ring
E _w	49,6 mm	Outer envelope circle
B	34 mm	Width
C _r	69.000 N	Basic dynamic load rating, radial
C _{0r}	84.000 N	Basic static load rating, radial
C _{ur}	12.300 N	Fatigue load limit, radial
n _G	8.100 1/min	Limiting speed
n _{gr}	5.300 1/min	Reference speed
m	215 g	Weight

Mounting dimensions

d _{a min}	40 mm	Minimum diameter shaft shoulder
--------------------	-------	---------------------------------

Dimensions

r _{min}	1 mm	Minimum chamfer dimension
X	26 mm	Raceway width



Temperature range

T_{min}	-30 °C	Operating temperature min.
T_{max}	120 °C	Operating temperature max.

Characteristics

-  F_r Radial load
-  Grease Lubrication
-  Oil Lubrication
-  Not sealed