

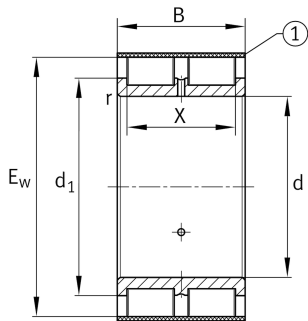
**RSL185034-A-XL**

Cylindrical roller bearing

Cylindrical roller bearing RSL18.-XL, full complement roller set, two-row, semi-locating bearing, no outer ring, 3 ribs on inner ring, type RSL18

X-life

Technical information



Your current product variant

Design	A	Internal Variant Cage A
Tolerance class	PN	Normal (ISO 492:2023)
Number of rows	2	Double-row design

Main Dimensions & Performance Data

d	170 mm	Rib diameter inner ring
E _w	242,85 mm	Outer envelope circle
B	122 mm	Width
C _r	1.360.000 N	Basic dynamic load rating, radial
C _{0r}	2.110.000 N	Basic static load rating, radial
C _{ur}	330.000 N	Fatigue load limit, radial
n _G	1.480 1/min	Limiting speed
n _{gr}	900 1/min	Reference speed
≈m	15,25 kg	Weight

Mounting dimensions

d _{a min}	198,5 mm	Minimum diameter shaft shoulder
--------------------	----------	---------------------------------

Dimensions

r _{min}	2,1 mm	Minimum chamfer dimension
X	100 mm	Raceway width



Temperature range

T_{\min} -30 °C Operating temperature min.

T_{\max} 120 °C Operating temperature max.

Characteristics



Radial load



Grease Lubrication



Oil Lubrication



Not sealed