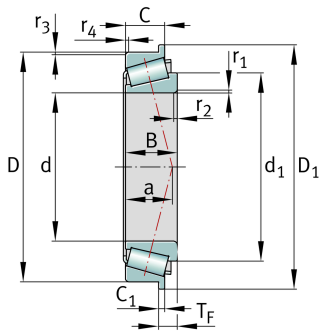


**FAG****K11163-11300-B**

Tapered roller bearing

Tapered roller bearings with flange K-Series,
in inch sizes, separable

Technical information

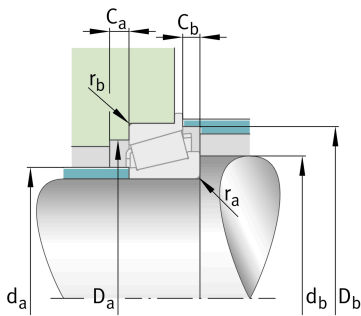


Your current product variant

Tolerance class	ABMA4	Class 4 (ANSI/ABMA 19.2:2013)
Heat treatment	Standard	
Cage	Standard	Sheet steel cage, window cage, roller-guided
Quality level	Standard	
Number of rows	1	Single-row design

Main Dimensions & Performance Data

d	41,275 mm	Bore diameter
D	76,2 mm	Outside diameter
B	17,384 mm	Width, inner ring
C	14,288 mm	Width, outer ring
T _F	7,292 mm	Width assembled flange bearing
C _r	44.000 N	Basic dynamic load rating, radial
C _{0r}	53.000 N	Basic static load rating, radial
C _{ur}	6.000 N	Fatigue load limit, radial
n _G	9.900 1/min	Limiting speed
n _{gr}	6.100 1/min	Thermal speed rating
≈m	359,78 g	Weight





Mounting dimensions

$d_{a \max}$	46,5 mm	Maximum diameter of shaft shoulder
$d_{b \min}$	49 mm	Minimum diameter of shaft shoulder
$D_{a \min}$	67 mm	Minimum diameter of housing shoulder
$D_{a \max}$	69 mm	Maximum diameter of housing shoulder
$D_{b \min}$	71 mm	Minimum diameter of housing shoulder
$C_{a \min}$	3 mm	Minimum axial space
$C_{b \min}$	3,5 mm	Minimum axial space
$r_{a \max}$	0,8 mm	Maximum fillet radius of shaft
$r_{b \max}$	1,5 mm	Maximum fillet radius of housing

Dimensions

$r_{1, 2 \min}$	0,8 mm	Minimum chamfer dimension of inner ring back face
$r_{3, 4 \min}$	1,5 mm	Minimum chamfer dimension of outer ring back face
a	17 mm	Distance between the apexes of the pressure cones
d_1	59,3 mm	Guidance rib diameter of inner ring
D_1	80,863 mm	Outside diameter flange
C_1	3,571 mm	Width flange

Temperature range

T_{\min}	-30 °C	Operating temperature min.
T_{\max}	120 °C	Operating temperature max.

Calculation factors

e	0,49	Limiting value of F_a/F_r for the applicability of diff. Values of factors X and Y
Y	1,23	Dynamic axial load factor
Y_0	0,68	Static axial load factor



Characteristics

-  Radial load
-  Axial load in one direction
-  Grease Lubrication
-  Oil Lubrication
-  Not sealed