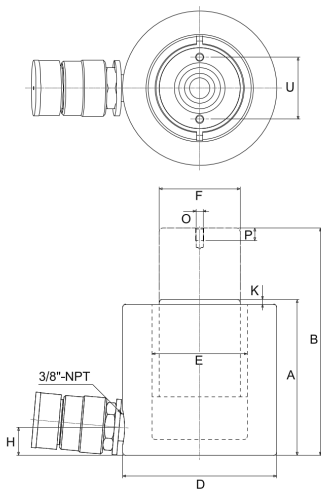


**NSCS-101**

Hydraulic cylinder, 700 bar

BETEX NSCS Compact cylinder, short stroke, single-acting, spring return, 10T class

Technical information

**Your current product variant**

| | | |
|---------|------|-----------------------|
| Series | NSCS | Short stroke cylinder |
| Version | 10T | Capacity class 10 |

Technical data

| | | |
|-------------|--------------------|------------------------------------|
| | 10 | Capacity class (tons) |
| s_p | 38 mm | Stroke |
| F_a | 101 kN | Advance force, max. |
| P_{max} | 700 bar | Operating pressure, max. |
| V_{oil} | 55 cm ³ | Oil capacity |
| A | 88 mm | Height, retracted |
| B | 126 mm | Height, extended |
| D | 78 mm | Outer diameter |
| E | 42,8 mm | Cylinder bore diameter |
| F | 38 mm | Plunger diameter |
| H | 17,5 mm | Base to advance port |
| K | 5 mm | Piston protrusion |
| O | M4 | Plunger female thread |
| P | 8 mm | Plunger thread length |
| U | 26 mm | Piston mounting holes, bolt circle |
| $\approx m$ | 4,1 kg | Weight |



View product details on medias

29.04.2026, 15:56:28 UTC

SCHAEFFLER

Additional information

Hard chrome plated and
hardened piston,
Rolled inside of cylinder,
Sandblasted outside
with black nitride coating,
Coupling with dust cap

Product specifics